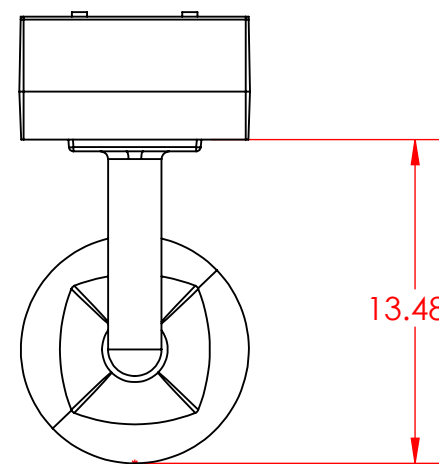
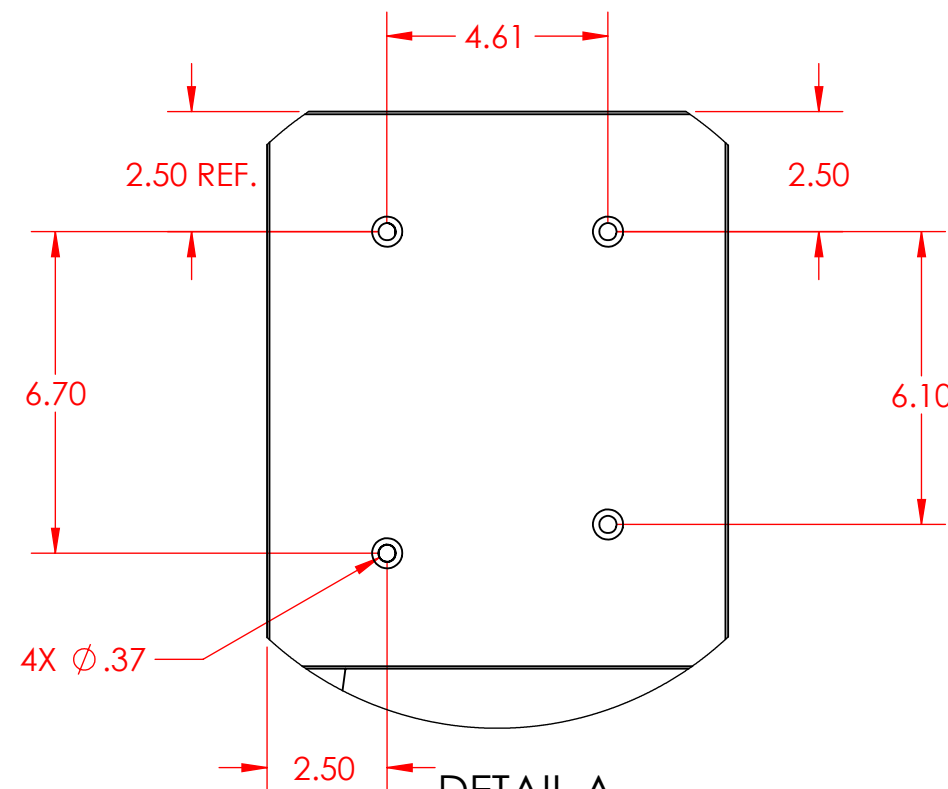


REVISIONS

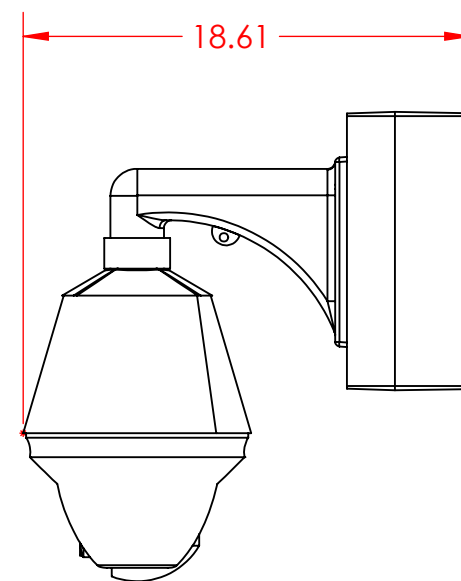
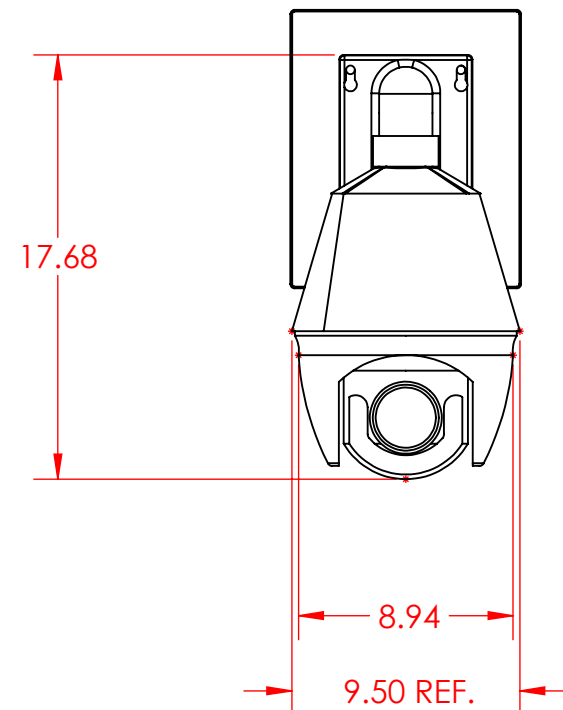
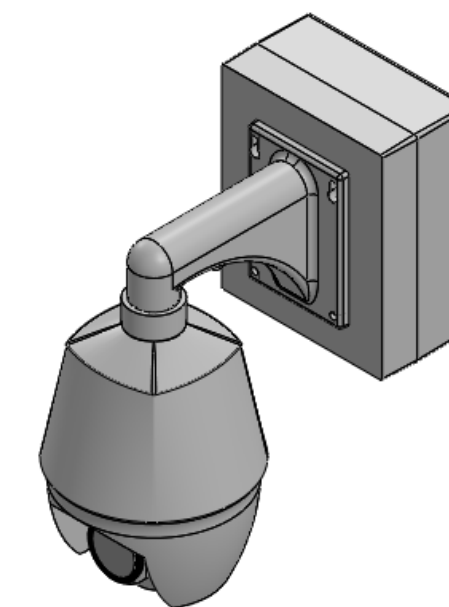
NO.	DESCRIPTION	DATE	BY	APPD
0	INITIAL DRAWING	08/16/21	TT	BR



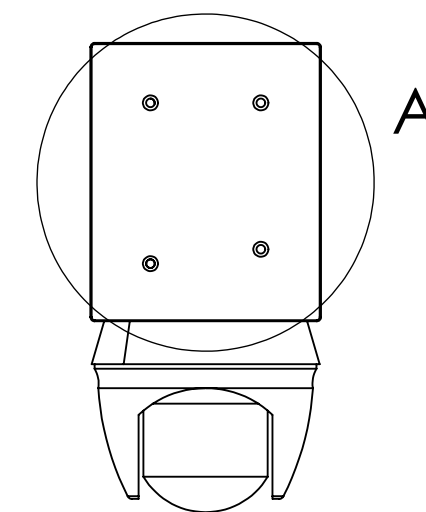
TOP SIDE VIEW



DETAIL A
SCALE 1 : 4



RIGHT SIDE VIEW



REAR SIDE VIEW

NOTES:

1. DRAWING IS FOR REFERENCE ONLY
2. DIMENSION ARE IN INCHES
3. MATERIAL IS PAINTED ALUM.

RELEASED FOR PRODUCTION: YES NO

PART NO.		INDUSTRIAL VIDEO & CONTROL 330 NEVADA STREET - NEWTON, MA 02460			
		PTZ-HD30-18-C with J-Box			
DIMENSIONS ARE IN: <input checked="" type="checkbox"/> INCHES <input type="checkbox"/> MILLIMETERS <input type="checkbox"/> DUAL		DESIGNED FOR:	DRAWN BY:	DATE:	SHEET NO:
TOLERANCES ON:		I.V.&C.	TT	08/16/21	1 OF 1
ANGLES	±1/2° ±0.5°	MODEL:	APPD BY:	DATE:	DWG NO:
FRACTIONS	±1/32" N/A	PTZ-HD30-18-C with J-Box	BR	08/16/21	IVC2248
DECIMALS	.XX ±0.01" ±0.2 .XXX ±0.005" ±0.12	THIS DOCUMENT IS THE PROPERTY OF IV&C AND MAY NOT BE USED OR REPRODUCED IN WHOLE OR IN PART WITHOUT WRITTEN PERMISSION		SCALE:	REV NO:
REVISIONS TO THIS DRAWING MUST BE APPROVED BY APPROPRIATE CERTIFYING BODY		YES <input type="checkbox"/> NO <input checked="" type="checkbox"/>		1:8	0