



PTZ-HD30-15-C Installation Guide.

READ THIS FIRST

IG-056.

Revision History:

Rev 0	4-27-2022	Issue.
Rev 1.	11-08-2022	Updated Drawing Patterns.



1

Check Receipt of All Components.

1.1 Component List.

- HD Color Camera.
- Wall mount with bracket and camera adapter.



PTZ-HD30-15-C

NOTE: Special mounting equipment may be in a separate box and may require additional materials for installation. (Consult the specific kit for more information).

1.2 Additional Installation Requirements.

The following items are required to properly complete installation:

- An RJ-45 Ethernet Cable (straight-through, any length).
- A Windows™ computer running Chrome or IE 11.
- Dome lens cleaner.
- Tools for Special Mounting Kit (e.g. IVC Pole Mount Kit). (See kit for details).



2

Set Up and Bench Test Camera.

2.1 Remove Packaging and Inspect Camera.

To ensure the integrity of the camera during shipping certain packing materials may have been placed inside the camera to protect the lens and electronics. Remove these materials before operating the camera.

It is recommended that you apply a lens cleaner that includes water repellent (such as Rain-X™) to the outer dome of the camera as directed by the instructions included with the cleaner.

The dome lens is constructed of soft acrylic for optimal optical characteristics. It can be scratched easily. Use only a damp soft cloth or vigorous water spray to clean.

If any damage occurred during shipping please call our support line (617-467-3059) for assistance.

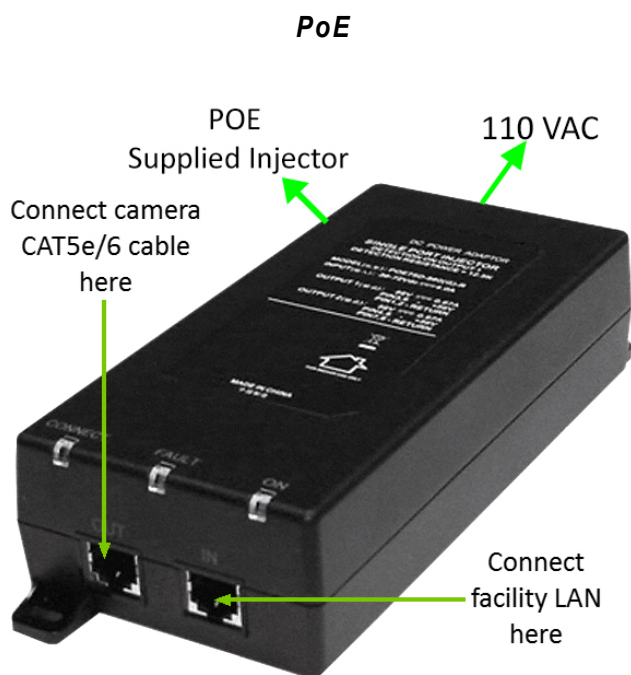
2.2 Connect Camera.

This camera supports 12 VDC connections. It can also work with high power PoE 802.3af.

Please refer to the data listed in the table below that applies to copper cables that use 12 VDC power supply. The item Core Diameter indicates the conductor diameter.

Core Diameter (Unit: mm)	0.80	1.00	1.25	2.00
30	14	22.5	36	91.5
40	10.5	17	27	68.5
50	8.5	13.5	21.5	55
60	7	11	18	45.5
70	6	9.5	15.5	39
80	5	8.5	13.5	34
90	4.5	7.5	12	30.5
100	4	6.5	10.5	27.5
110	3.5	6	9.5	24.5
120	3.5	5.5	8.5	22.5

- To power via PoE locate the RJ45 female connector on the camera's pigtail.
Example of PoE injector as shown below:

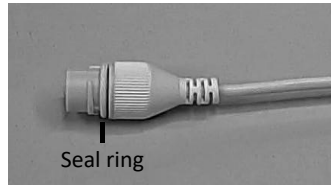


Camera Power:

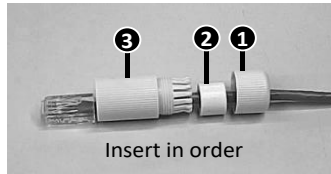
In some circumstances, IP cameras may require an occasional power interruption to re-initiate the camera software after installation. Ideally, the power for each installed camera should be routed through a permanent and conveniently accessible power switch.

Waterproof components for an RJ-45 plug:

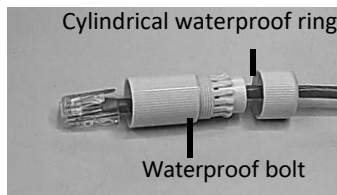
1. Attach the seal ring to the copper interface.



2. Mount the waterproof components.



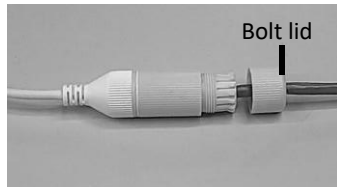
3. Insert the cylindrical waterproof ring into bolt.



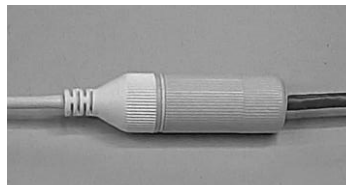
4. Insert the cable into the Ethernet copper interface, and screw the waterproof bolt in.



5. Screw in the waterproof bolt lid.

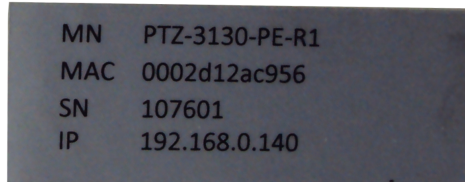


6. Finish the waterproof installation.



2.3 Set Camera IP Address.

For your convenience, the camera's default IP is printed on the information label attached to the camera and its shipping container.



Example camera information label

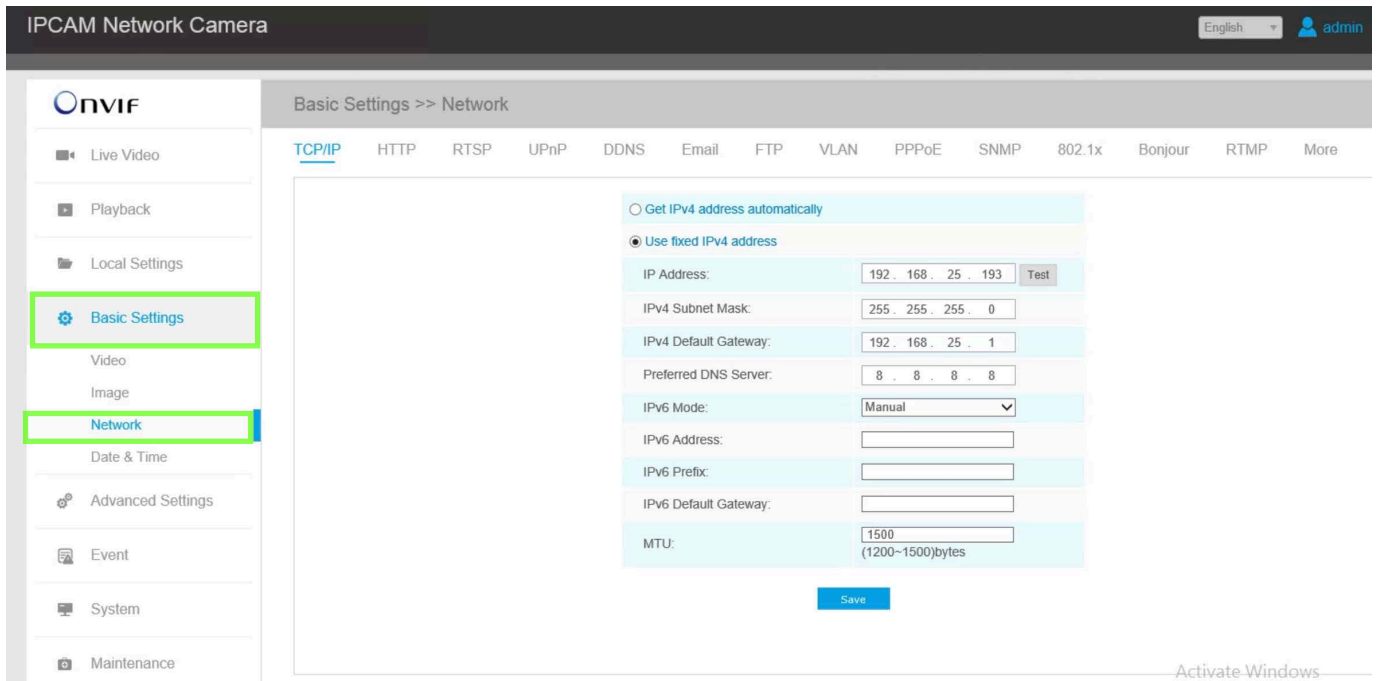
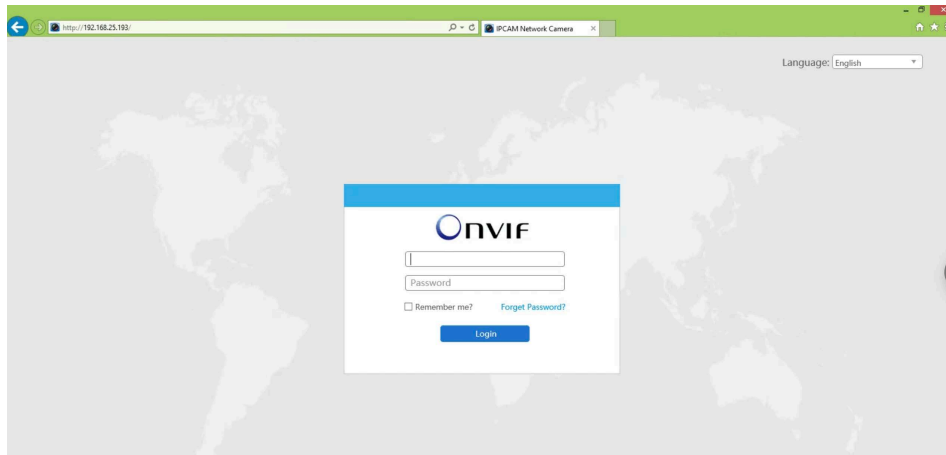
The camera's IP address has been set on a 192.168.0.x/ class network. For this section, the computer you are using for bench testing must be set to the same subnet as the camera (e.g. 192.168.0.###). Consult your network administrator if you need assistance.

Once you have located the IP address please follow the instructions below to set it to a permanent address:

1. Using a web browser enter the IP Address in the address bar, install the required ActiveX control if prompted by the browser and check that you are able to see live video.
2. When prompted by your browser, enter the camera username (factory default = **admin**) and password (factory default = **ms1234**), **IVC setup default: admin/admin1234#**
3. To change the IP address click on the **Configuration** button and then click **Basic Settings - Network**. Please see the field options to include settings.
4. Under the Network section, click the **Use fixed IPv4 address** radio button and enter the IP address the camera you wish to assign to this camera. Click the Save button when finished defining the network settings for this camera.
5. The default IP address is **192.168.5.190**

Setup Camera IP:

- Click on **Configuration**.
- Find **Basic Settings - Network**. Setup IP configuration and **Save**.



2.4 Bench Test Completed.

To complete bench test, make sure you are able to see HD Live Video using the camera's web interface.

3

Mount the Camera.

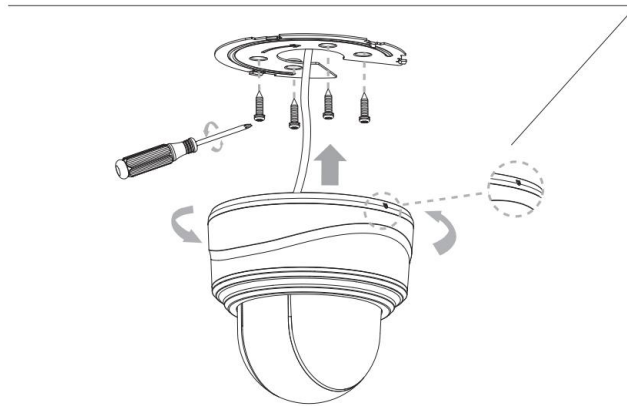
3. Wall Mounting Patterns.

Check the wall or ceiling condition. Ensure that it is strong enough to avoid flaking. It should be able to bear the weight eight times heavier than the camera's.

Install with Mounting Bracket:

Step 1: Fix the mounting bracket on the position where the camera is intended to be installed.

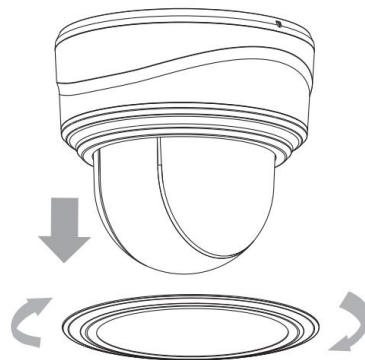
Step 2: Connect the cables. Then rotate the camera to the mounting bracket and tighten setscrew.



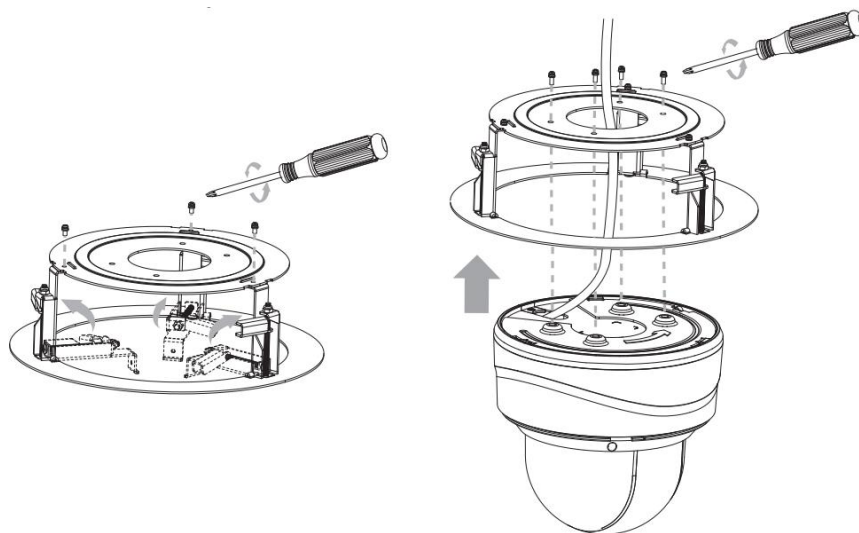
Install with Recessed Mount.

Step 1: Verify that the thickness of ceiling is less than 30mm, then drill a round hole whose diameter is 220mm on it;

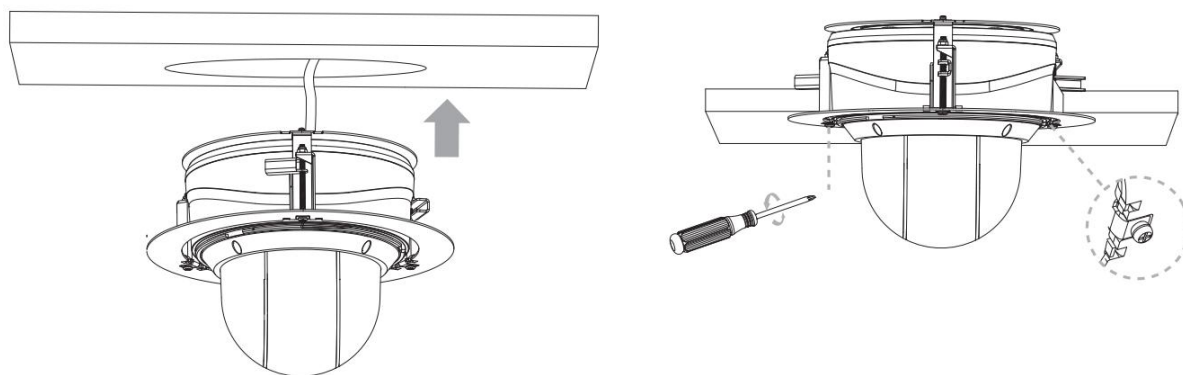
Step 2: Hold the camera and turn the top cover clockwise, then take it off.



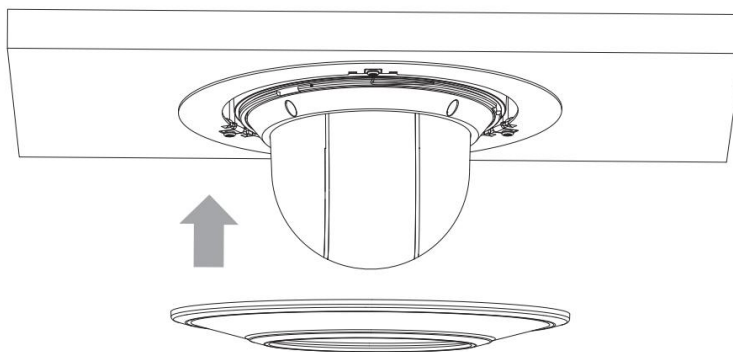
Step 3: Assemble the Recessed Mount, set the support up and screw the fixation plate to them. Then tightly lock camera with mounting bracket to the Recessed Mount.



Step 4: Put the camera and Recessed Mount to the drilled hole. Screw it tightly to fix them in the ceiling;

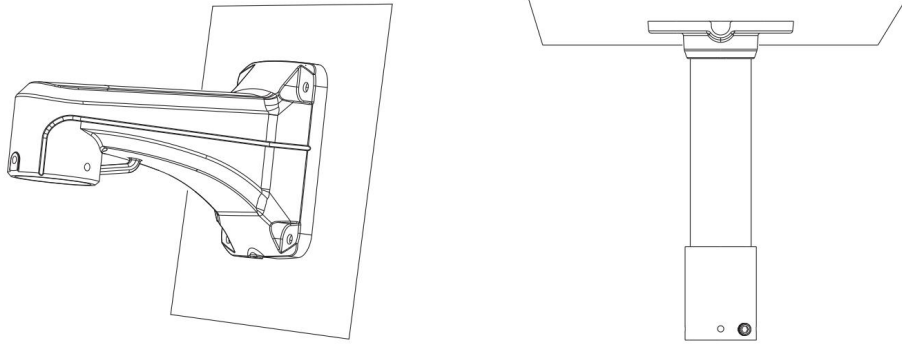


Step 5: Put the Recessed Mount cover on.

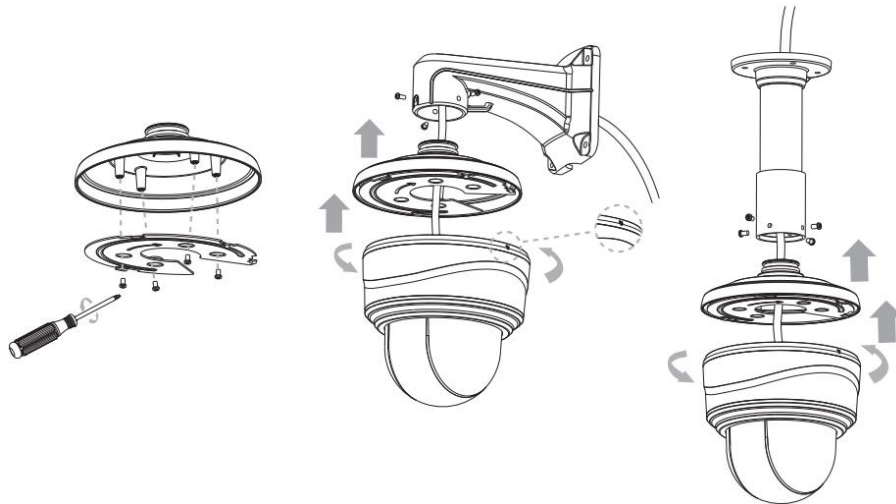


Install with Wall Mount or Pendant Mount.

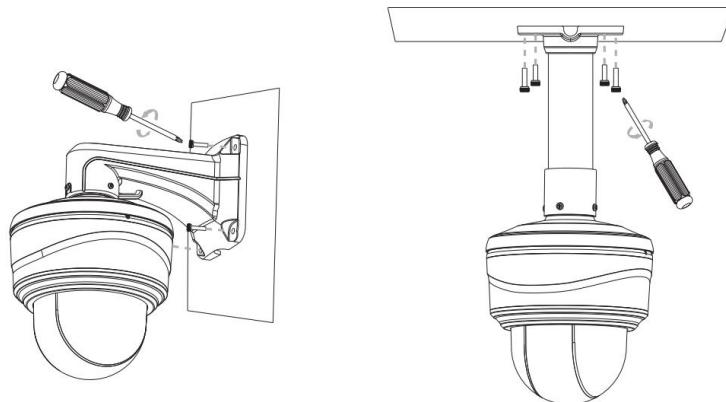
Step 1: Use the wall or ceiling hanging holder to mark the holes. Drill 4 holes on the wall or ceiling.



Step 2: Screw the mounting bracket to the wall mount or pendant mount. Screw the mounting bracket and holder, put the cables through them. Rotate the camera to the mounting bracket and tighten the setscrew.



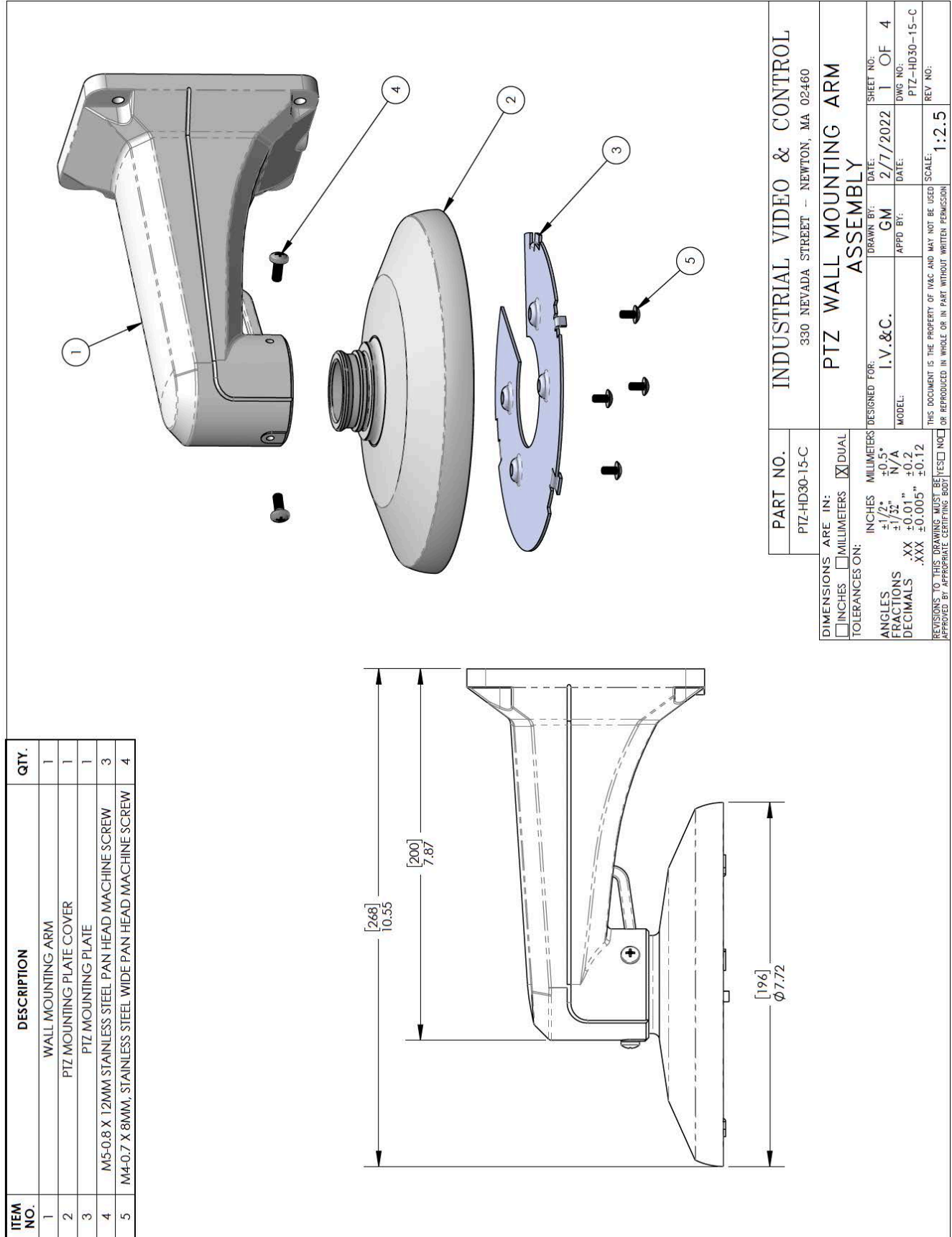
Step 3: Match the holder to the holes on the wall or ceiling, then tighten the screws.



Note:

Loosen the screws of the dome cover and take it off. Then loosen the screws on the back of dome body to get access to the SD card slot if you need.

3.1 Drawing patterns:



4

Specifications.

Imager	1/2.8" Progressive Scan CMOS
Resolution	1920 x 1080 @ 90FPS
Shutter Speed	1/100000s~1s
Minimum Illumination	Color: 0.002 Lux B/W: 0 Lux (IR On)
WDR	120dB Super WDR
Focal Length	5.3 – 64 mm
Zoom ratio	12x
Field of View	61° ~ 5°
Aperture	F1.6~F2.8
Day/night	Auto
Iris Control	Auto
Pan Angle	360°
Pan Speed	450° Per Second
Tilt Angle	-5° to 90°; auto flip 180°
Tilt Speed	360° Per Second
Ethernet	100Base-TX/10BaseT (RJ-45)
Protocols	IPv4/IPv6, ARP, TCP, UDP, RTCP, RTP, RTSP, RTMP, HTTP, HTTPS, DNS, DDNS, DHCP, FTP, NTP, SMTP, SNMP, UPnP, Bonjour, SIP, PPPoE, VLAN, 802.1x, QoS, IGMP, ICMP, SSL
Analytics	Region Entrance/Exiting, Motion Detection, Tamper Detection, Line Crossing, Loitering, Object Left, Object Removed, People Counting
Compression	H.264, H.265, MJPEG
Frame Rate	90 FPS (1080p primary stream)
Voltage Required	12 VDC, IEEE 802.3bt PoE
Power Consumption	20W maximum (IR On)
Weight	4.4 lbs.
Operating Temperature	-40° C - 60° C
Dimensions	ø7.2" x 6.88" H
Mount	Ceiling mount standard
Protection Class	IP66, IK10

5

Support Information.

If you experience any problems please call us (617-467-3059) or email support@ivcco.com.

Please note that no equipment (in-warranty or out-of-warranty) should be sent back to IVC without an Return Material Authorization (RMA). Contact IVC support or your IVC sales representative for an RMA.

CAUTION: All installations must insure the camera assembly is mounted securely to ensure that it cannot become dislodged during high wind, accidental bumping or other such incidents. All wiring must comply with NEC, NFPA, and local codes.

NOTE: IVC is not liable for direct or consequential damages resulting from use of this product and IVC makes no guarantees regarding results of intended and unintended use of the product.