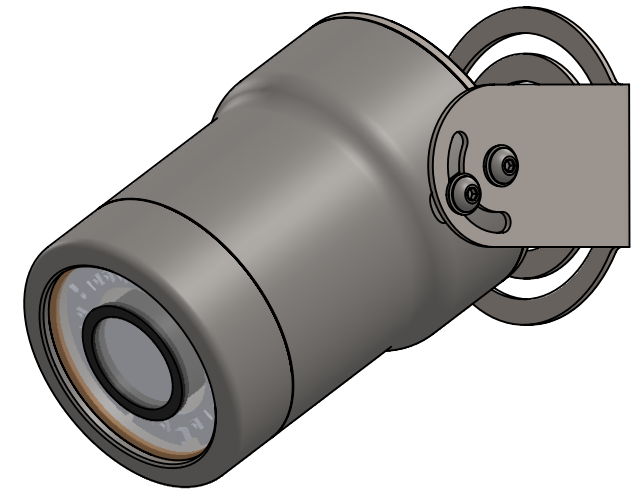
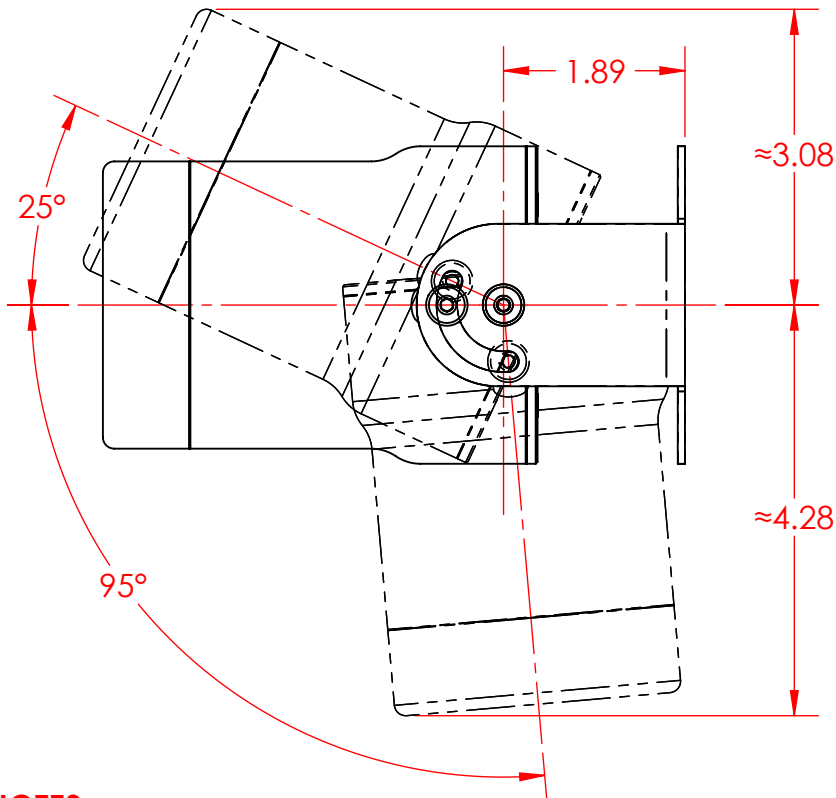
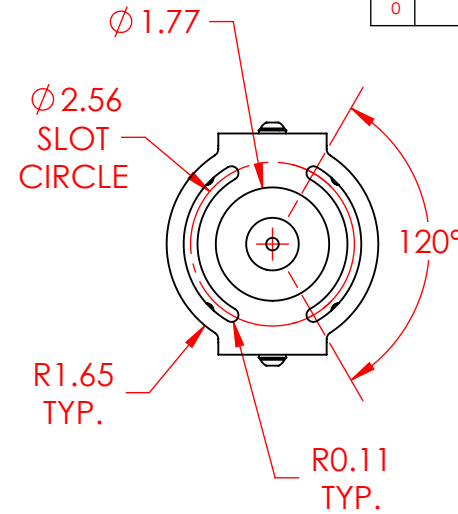
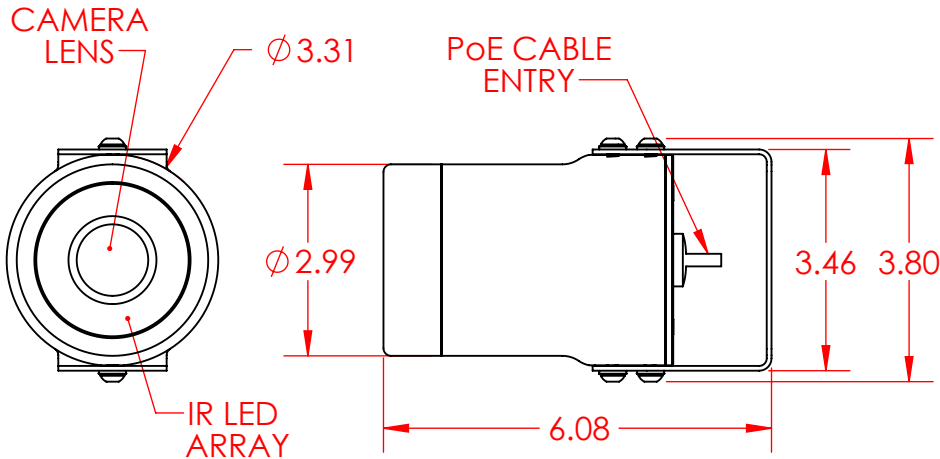


# REVISIONS

NO.	DESCRIPTION	DATE	BY	APPD
0				



RELEASED FOR PRODUCTION: YES  NO

<b>PART NO.</b>	<b>INDUSTRIAL VIDEO &amp; CONTROL</b>
<b>NA</b>	330 NEVADA STREET - NEWTON, MA 02460

## MZ-HD34-3 OVERALL DIMENSIONS

DIMENSIONS ARE IN: <input checked="" type="checkbox"/> INCHES <input type="checkbox"/> MILLIMETERS <input type="checkbox"/> DUAL		DESIGNED FOR: <b>I.V.&amp;C.</b>		DRAWN BY: <b>DGR</b>		ISSUE DATE: <b>1/5/21</b>		SHEET NO: <b>1 OF 1</b>			
TOLERANCES ON: ANGLES $\pm 1/2^\circ$ $\pm 0.5^\circ$ FRACTIONS $\pm 1/32$ N/A DECIMALS .XX $\pm 0.01$ $\pm 0.2$ .XXX $\pm 0.005$ $\pm 0.12$		MODEL: <b>MZ-HD34-3</b>		APPROVED BY: <b>BGR</b>		APPROVED DATE: <b>1/5/21</b>		DWG NO: <b>IVC2217</b>			
REVISIONS TO THIS DRAWING MUST BE APPROVED BY APPROPRIATE CERTIFYING BODY YES <input type="checkbox"/> NO <input checked="" type="checkbox"/>				THIS DOCUMENT IS THE PROPERTY OF IV&C AND MAY NOT BE USED OR REPRODUCED IN WHOLE OR IN PART WITHOUT WRITTEN PERMISSION				SCALE: <b>NA</b>		REV NO: <b>0</b>	

**NOTES:**  
**1-** IF NECESSARY, ADDITIONAL +/-22.5° CAMERA MODULE ROTATIONAL ADJUSTMENT MADE VIA INTERNAL SWIVEL PLATE  
**2-** SWIVEL MOUNT MAY BE FLIPPED 180° RELATIVE TO ENCLOSURE FOR GREATER UP-TILT