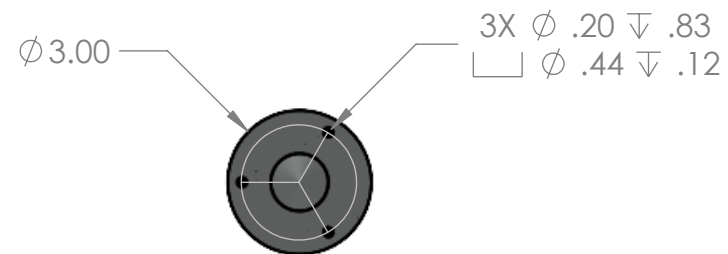
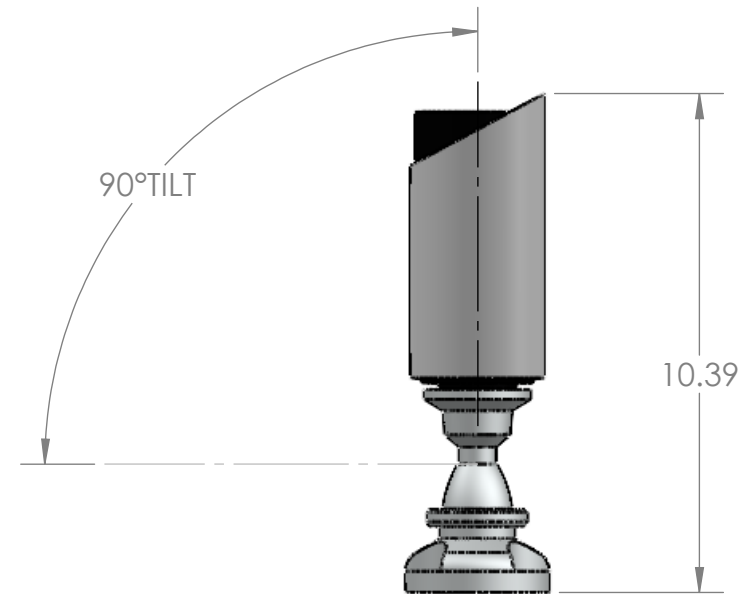
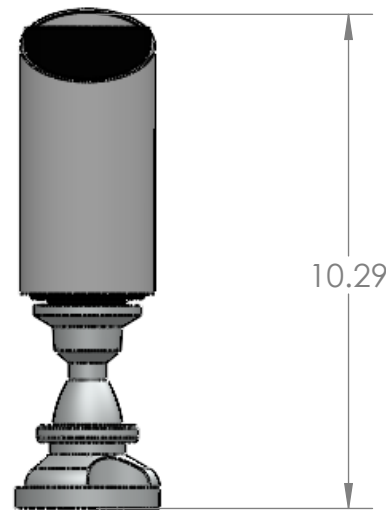
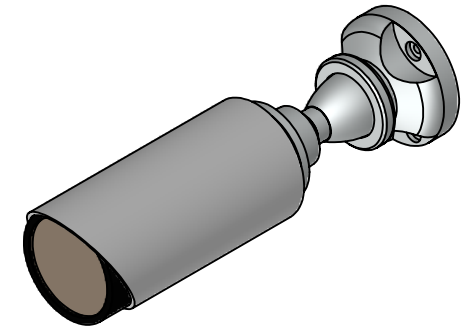
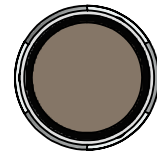


REVISIONS

NO.	DESCRIPTION	DATE	BY	APPD
1	DIMENSION MODEL FOR INITIAL RELEASE	08/08/23	TT	BR



- NOTES:
 1. DRAWING FOR REFERENCE ONLY
 2. DIMENSIONS ARE IN INCHES
 3. MAT'L ALUM. POWDER COATED

RELEASED FOR PRODUCTION: YES NO

PART NO. N/A		INDUSTRIAL VIDEO & CONTROL 330 NEVADA STREET - NEWTON, MA 02460			
		MZ-HD32-15			
DIMENSIONS ARE IN: <input checked="" type="checkbox"/> INCHES <input type="checkbox"/> MILLIMETERS <input type="checkbox"/> DUAL		DESIGNED FOR: I.V.&C.	DRAWN BY: TT	DATE: 08/08/23	SHEET NO: 1 OF 1
TOLERANCES ON: ANGLES $\pm 1/2^\circ$ $\pm 0.5^\circ$ FRACTIONS $\pm 1/32"$ N/A DECIMALS .XX $\pm 0.01"$ ± 0.2 .XXX $\pm 0.005"$ ± 0.12		MODEL: N/A	APPD BY: BR	DATE: 08/08/23	DWG NO: IVC2704
REVISIONS TO THIS DRAWING MUST BE APPROVED BY APPROPRIATE CERTIFYING BODY		THIS DOCUMENT IS THE PROPERTY OF IV&C AND MAY NOT BE USED OR REPRODUCED IN WHOLE OR IN PART WITHOUT WRITTEN PERMISSION		SCALE: NTS	REV NO: 1