

4x Zoom, Outdoor HD IP Camera

MZ-HD32-10-C



- 1080p HD resolution
- 2.8mm - 12mm motorized lens
- Digital wide dynamic range
- Day/Night switching for almost any lighting condition
- H.264
- PoE
- Vandal-resistant enclosure

High resolution, color video in low light conditions

The MZ-HD32-10-C is a high-quality, high-resolution color video camera with a motorized zoom lens and auto-iris. It will produce high-definition video in low light conditions. The camera includes integrated IR LEDs for operation at 0 lux up to 40 meters.

This high resolution camera supports multiple streams and resolutions in H.264 codec. The zoom lens is

remotely adjustable from 2.8 to 12 mm, to provide a horizontal field-of-view of over 90 degrees.

The camera is housed in an outdoor vandal-resistant enclosure rated IP66. It comes ready for mounting and requires only a powered Ethernet network connection.

► specifications

Imager	1/2.8" IMX335 CMOS
Shutter	1/25s ~ 1/100000s
Minimum Illumination	0.01 Lux Color 0 Lux (IR on) to 40m
Exposure	Auto
White Balance	Auto
Iris	Auto
Focus	Auto
Zoom Ratio	4x
View Angle	30° - 100°
Focal Length	2.8 - 12 mm
F-number	F1.2
Ethernet	10/100 Mbps Ethernet (RJ-45)
Resolution	1080p, 720p, 4CIF, CIF
Compression	H.264
Frame Rate	25 FPS at 1080p
Protocols	TCP/IP, HTTP, FTP, SMTP
Weight	2.3 lbs.
Voltage Required	IEEE 802.3af compliant PoE, 12 VDC
Power Consumption	< 10 W
Operating Temperature	-20°C - 60°C
Dimensions	3.43" W x 4.39" H x 11.34" L
Rating	IP66

► IVC camera management software

Point & click camera management & control

Robust, enterprise class software to manage and control your cameras and video from anywhere in the world.



► features



Wide dynamic range imager for quality video in challenging lighting conditions



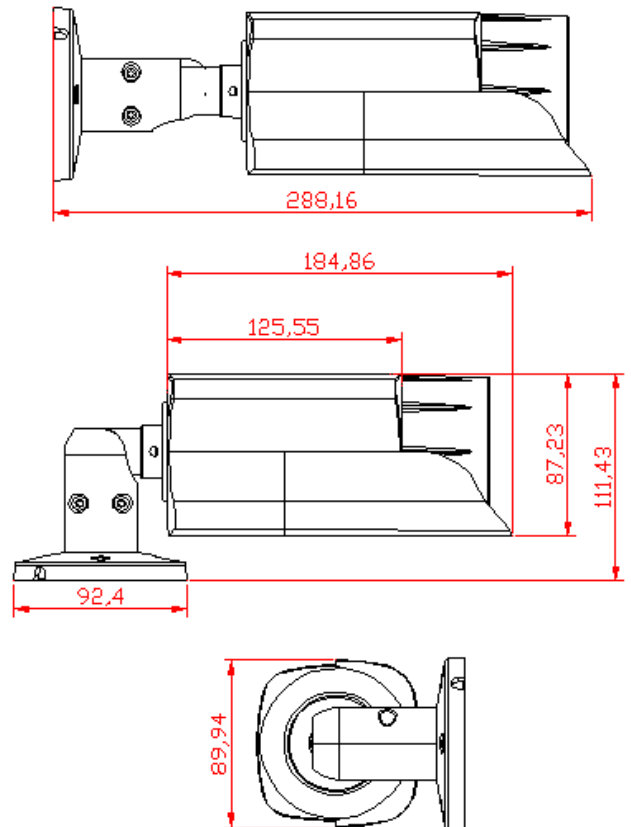
IEEE 802.3af compliant PoE



Rated IP66 for all weather applications

► ordering information

MZ-HD32-10-C



330 Nevada St., Newton, MA 02460 www.ivcco.com 617-467-3059

© 2019, Industrial Video & Control Co. The Industrial Video & Control Co. logo is a registered trademark of Industrial Video & Control Co.. All other company names and products are trademarks or registered trademarks of their respective companies. All information provided is subject to change without notice. 5/6/2019

