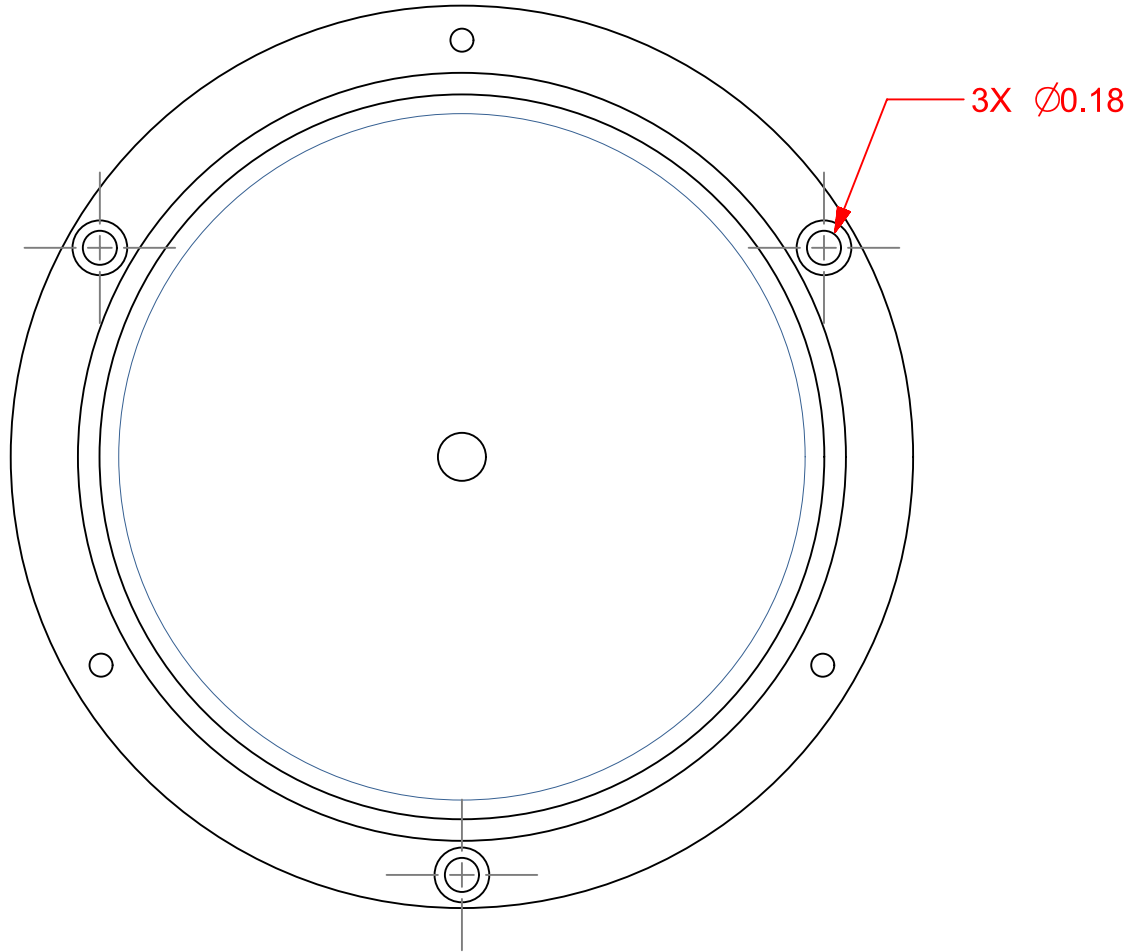


REVISIONS

NO.	DESCRIPTION	DATE	BY	APPD
0	Mount Pattern	6/12/2024	JA	BR



BASEPLATE VIEW

RELEASED FOR PRODUCTION: YES NO

NOTES:

- DRAWING IS FOR REFERENCE ONLY
- DIMENSIONS ARE IN INCHES

PART NO.	INDUSTRIAL VIDEO & CONTROL 189 WELLS AVE - NEWTON, MA 02459
----------	---

MZ-HD30-8-C		DESIGNED FOR: I.V.&C.		DRAWN BY: JA		ISSUE DATE: 6/12/2024		SHEET NO: 2 OF 2	
TOLERANCES ON: ANGLES ±1/2° ±0.5° FRACTIONS ±1/32" N/A DECIMALS .XX ±0.01" ±0.2 .XXX ±0.005" ±0.12		MODEL: MZ-HD30-8-C		APPROVED BY: BR		APPROVED DATE: 6/12/2024		DWG NO: IVC2751	
REVISIONS TO THIS DRAWING MUST BE APPROVED BY APPROPRIATE CERTIFYING BODY YES <input type="checkbox"/> NO <input checked="" type="checkbox"/>		THIS DOCUMENT IS THE PROPERTY OF IV&C AND MAY NOT BE USED OR REPRODUCED IN WHOLE OR IN PART WITHOUT WRITTEN PERMISSION				SCALE: 1:1		REV NO: 0	