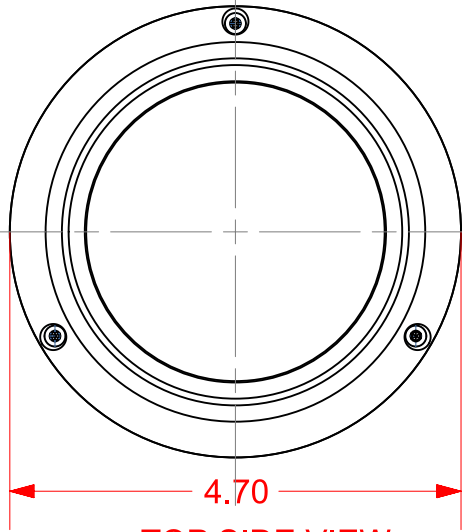
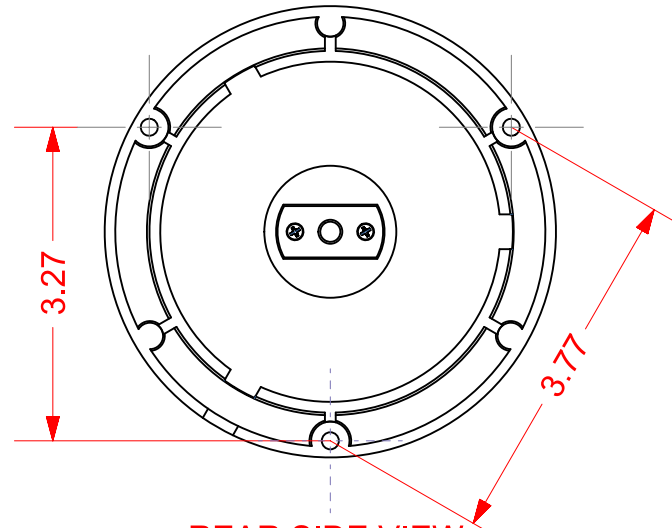


REVISIONS

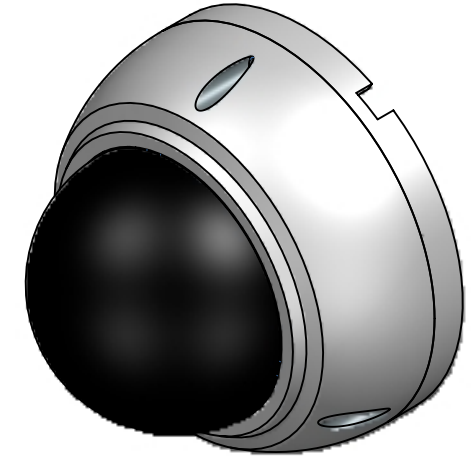
NO.	DESCRIPTION	DATE	BY	APPD
0	Installation Drawings	6/12/2024	JA	BR



TOP SIDE VIEW

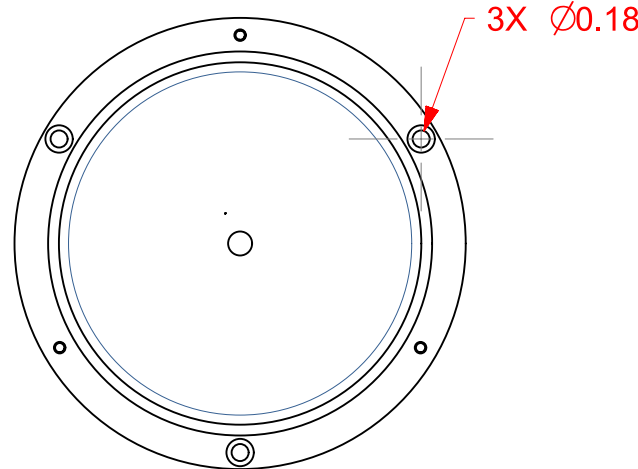
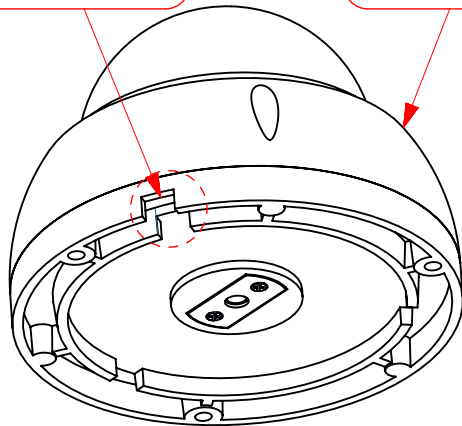


REAR SIDE VIEW

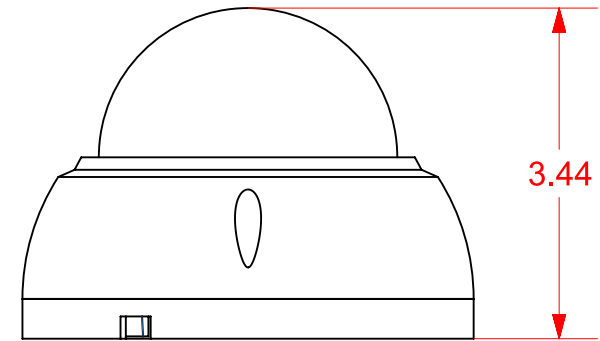


SEE NOTE 4

SEE NOTE 5



BASEPLATE VIEW



FRONT SIDE VIEW

NOTES:

1. DRAWING IS FOR REFERENCE ONLY
2. DIMENSIONS ARE IN INCHES
3. MATERIAL IS PAINTED ALUMINUM
4. FEED CORD DIRECTLY BEHIND CAMERA THROUGH WALL OR USE INDICATED OPENING TO RUN CAMERA'S CORD ALONG WALL
5. REMOVE TOP OF CAMERA ENCLOSURE BEFORE INSTALLING BASEPLATE ONTO WALL
6. HEX KEY AND MOUNTING HARDWARE INCLUDED

RELEASED FOR PRODUCTION: YES NO

PART NO.	INDUSTRIAL VIDEO & CONTROL 189 WELLS AVE - NEWTON, MA 02459
----------	---

DIMENSIONS ARE IN:	
<input checked="" type="checkbox"/> INCHES	<input type="checkbox"/> MILLIMETERS <input type="checkbox"/> DUAL
TOLERANCES ON:	
ANGLES	INCHES ±1/2" ±0.5°
FRACTIONS	±1/32" N/A
DECIMALS .XX	±0.01" ±0.2
.XXX	±0.005" ±0.12
REVISIONS TO THIS DRAWING MUST BE APPROVED BY APPROPRIATE CERTIFYING BODY	
YES <input type="checkbox"/>	NO <input checked="" type="checkbox"/>

MZ-HD30-8-C			
DESIGNED FOR:	DRAWN BY:	ISSUE DATE:	SHEET NO:
I.V.&C.	JA	6/12/2024	1 OF 2
MODEL:	APPROVED BY:	APPROVED DATE:	DWG NO:
MZ-HD30-8-C	BR	6/12/2024	IVC2751
THIS DOCUMENT IS THE PROPERTY OF IV&C AND MAY NOT BE USED OR REPRODUCED IN WHOLE OR IN PART WITHOUT WRITTEN PERMISSION		SCALE:	REV NO:
		1:2	0