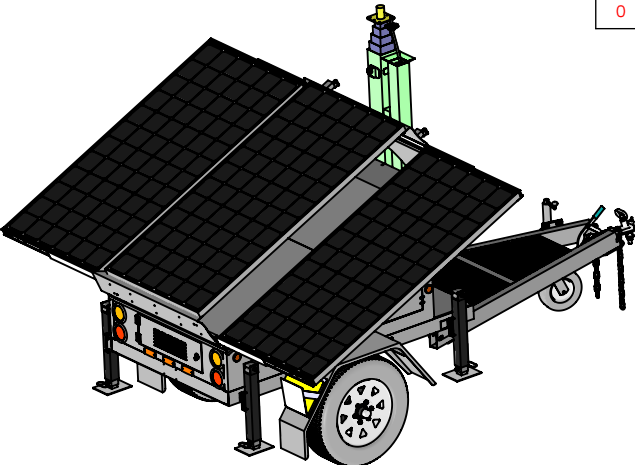
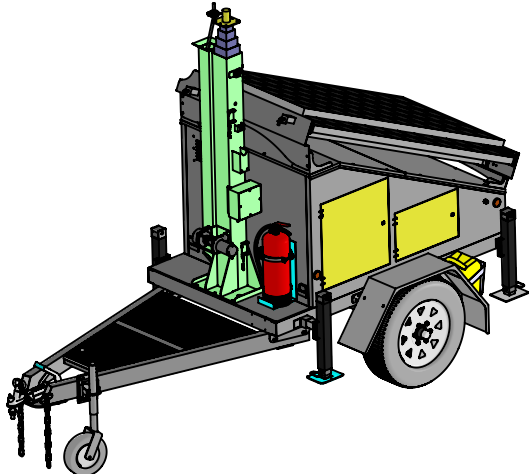
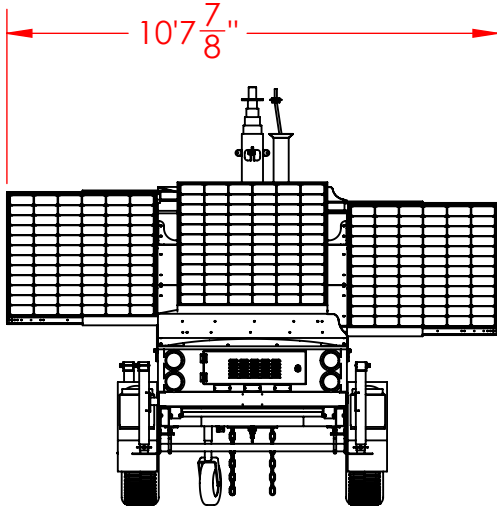
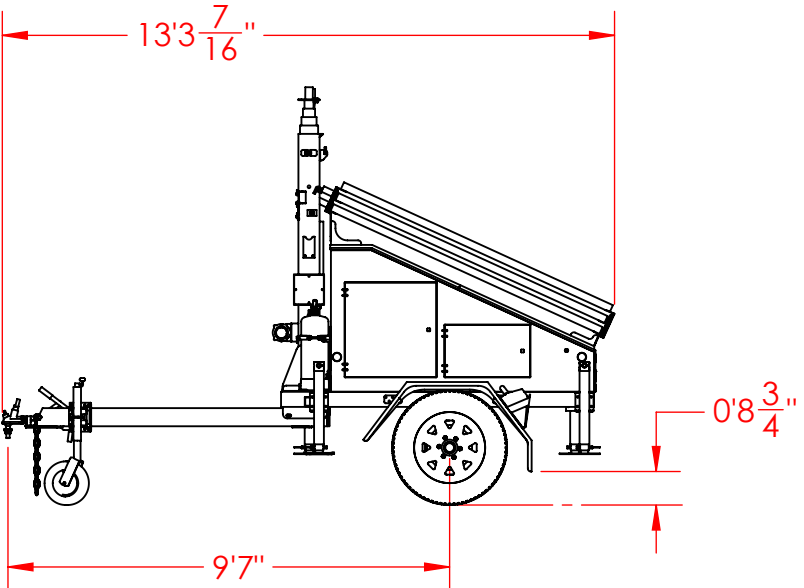
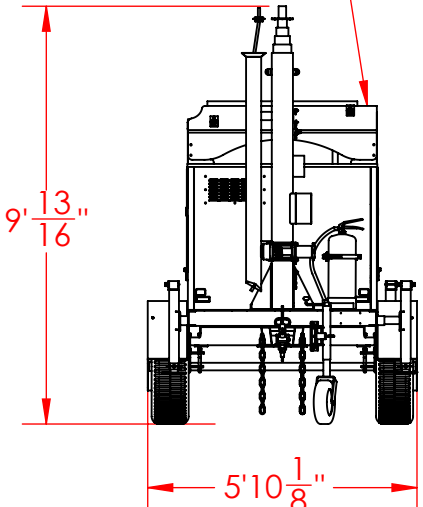


REVISIONS

NO.	DESCRIPTION	DATE	BY	APPD
0	ISSUE			



SOLAR PANELS IN STOWED POSITION



RELEASED FOR PRODUCTION: YES NO

PART NO. NA
INDUSTRIAL VIDEO & CONTROL
 330 NEVADA STREET - NEWTON, MA 02460

DIMENSIONS ARE IN:		TOLERANCES ON:		DESIGNED FOR:	DRAWN BY:	ISSUE DATE:	SHEET NO:
<input checked="" type="checkbox"/> INCHES	<input type="checkbox"/> MILLIMETERS	<input type="checkbox"/> DUAL		I.V.&C.	DGR	11/7/19	1 OF 1
ANGLES	±1/2°	±0.5°		MODEL:	APPD BY:	APPROVED DATE:	DWG NO:
FRACTIONS	±1/4"	N/A		MVT3001	BGR	11/7/19	IVC2151
DECIMALS	.XX ±0.01"	±0.2		THIS DOCUMENT IS THE PROPERTY OF IV&C AND MAY NOT BE USED OR REPRODUCED IN WHOLE OR IN PART WITHOUT WRITTEN PERMISSION		SCALE:	REV NO:
	.XXX ±0.005"	±0.12				1:50	0
REVISIONS TO THIS DRAWING MUST BE APPROVED BY APPROPRIATE CERTIFYING BODY		YES <input type="checkbox"/> NO <input checked="" type="checkbox"/>					