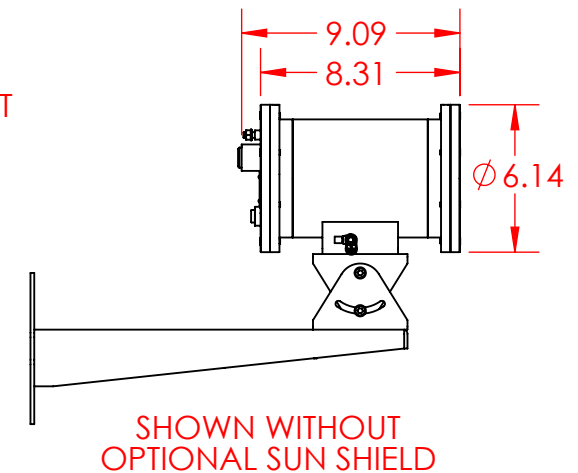
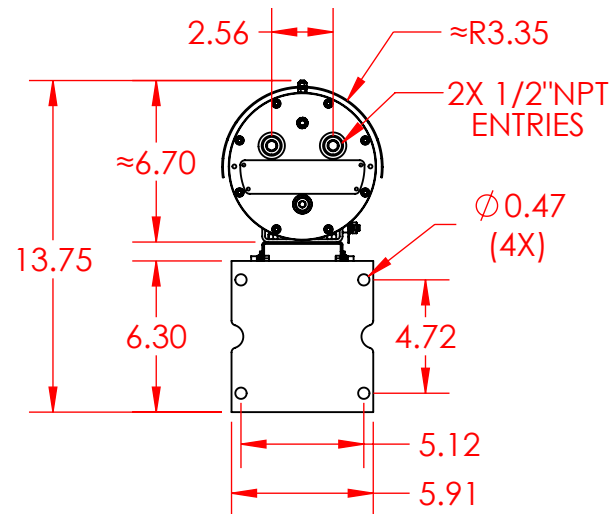
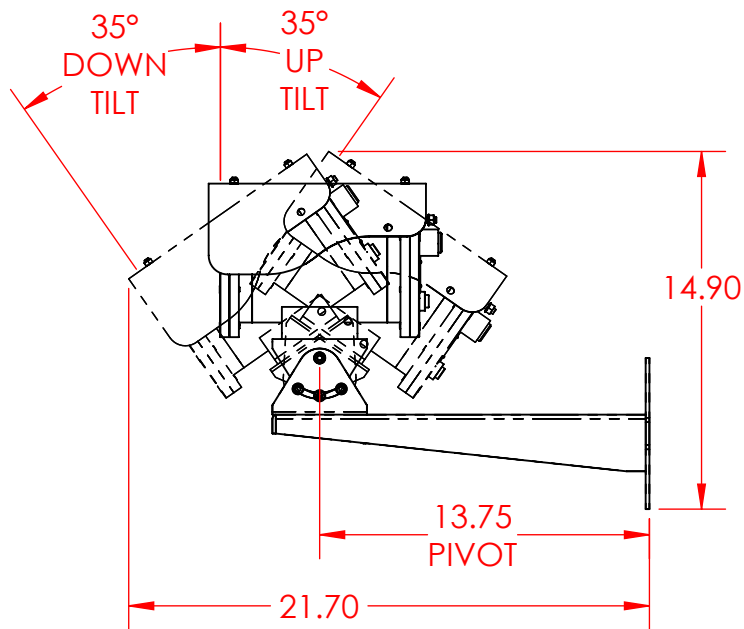
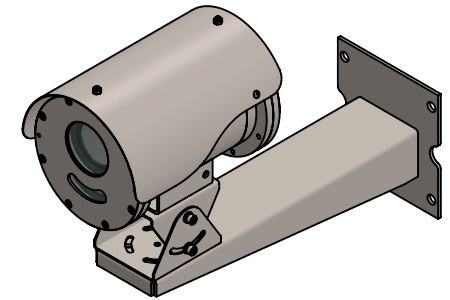
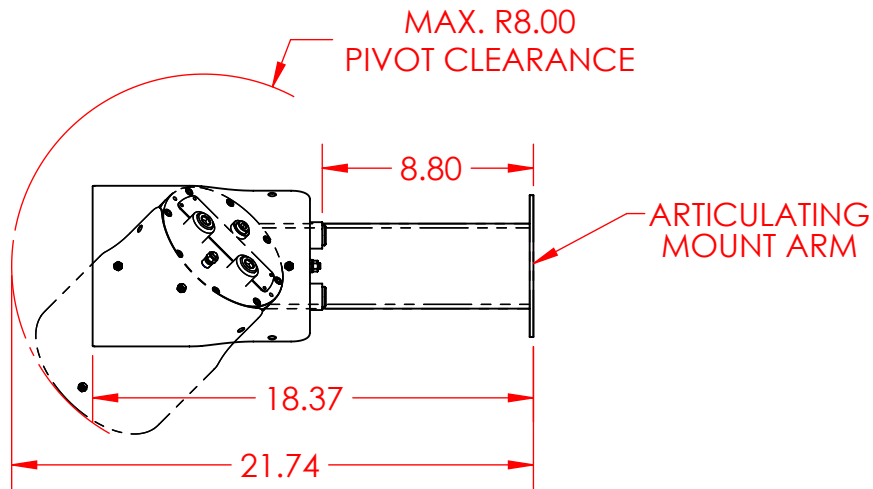


REVISIONS

NO.	DESCRIPTION	DATE	BY	APPD
0	ISSUE			



RELEASED FOR PRODUCTION: YES NO

NOTES:

- 1- HARDWARE FOR MOUNTING THE ENCLOSURE TO ARTICULATING ARM (#WM1046) IS INCLUDED
- 2- INSTALLER MUST SUPPLY APPROPRIATE SIZE/TYPE OF HARDWARE FOR MOUNTING ARM TO STRUCTURE
- 3- SUNSHIELD SUPPLIED AS OPTIONAL ACCESSORY (#SS1013)
- 4- APPROX. 22LBS ASSEMBLED (EXCLD. INT. COMPONENTS)

PART NO.
E1407/E1408

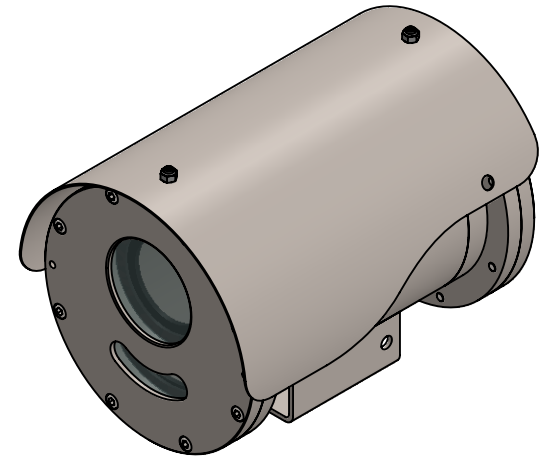
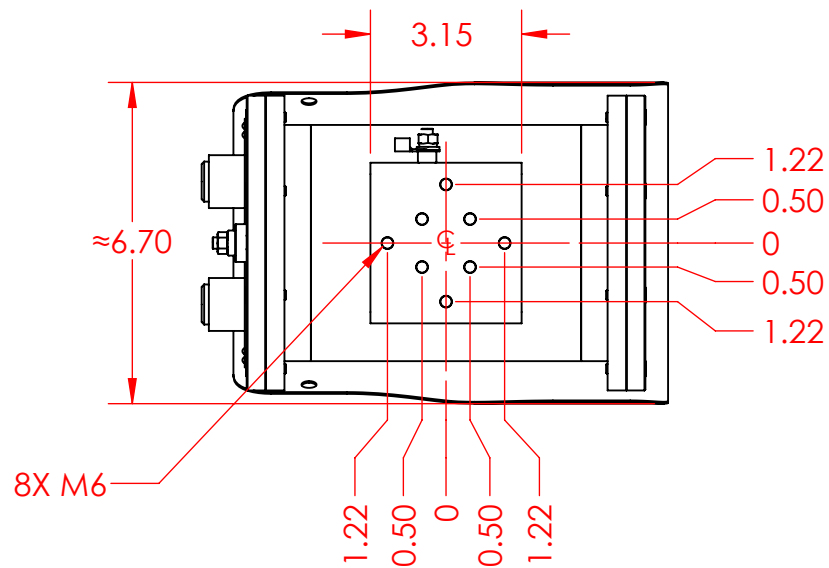
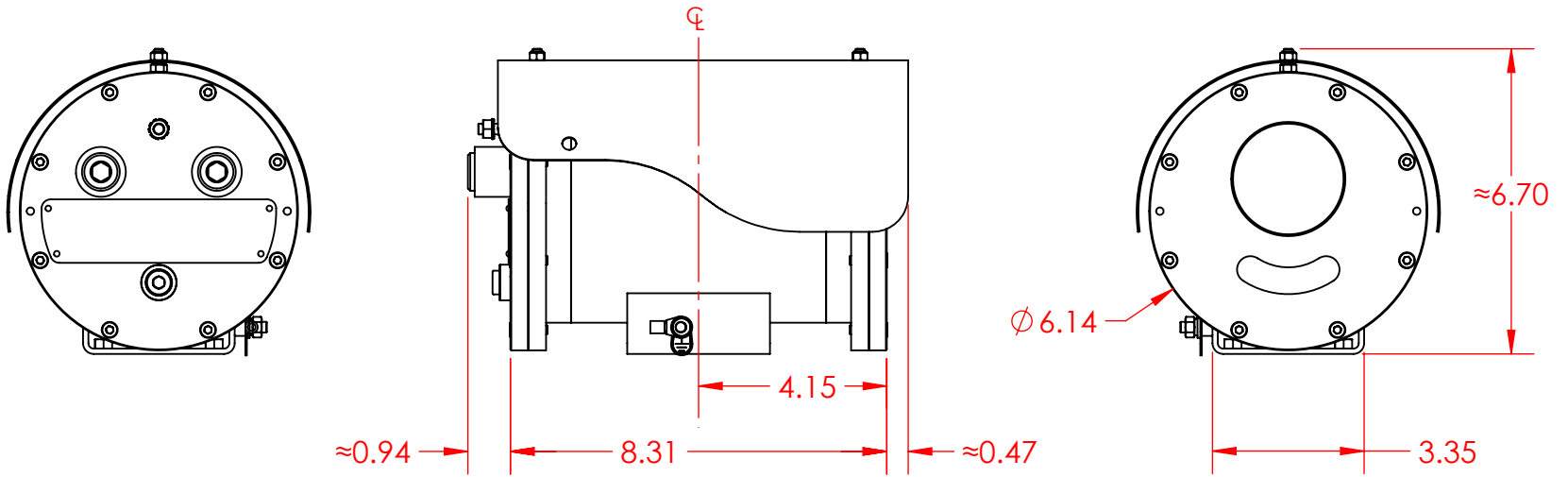
INDUSTRIAL VIDEO & CONTROL

189 WELLS AVE - NEWTON, MA 02459

E1407/E1408 ENCLOSURE OVERALL DIMENSIONS

DIMENSIONS ARE IN:	
<input checked="" type="checkbox"/> INCHES	<input type="checkbox"/> MILLIMETERS <input type="checkbox"/> DUAL
TOLERANCES ON:	
ANGLES	±1/2° ±0.5°
FRACTIONS	±1/32" N/A
DECIMALS	.XX ±0.03" ±0.75
	.XXX ±0.005" ±0.130
REVISIONS TO THIS DRAWING MUST BE APPROVED BY APPROPRIATE CERTIFYING BODY	
YES <input type="checkbox"/>	NO <input checked="" type="checkbox"/>

DESIGNED FOR: I.V.&C.	DRAWN BY: DGR	ISSUE DATE: 2/11/25	SHEET NO: 1 OF 2
MODEL: E1407/E1408	APPROVED BY: BGR	APPROVED DATE: 2/11/25	DWG NO: IVC2744
THIS DOCUMENT IS THE PROPERTY OF IV&C AND MAY NOT BE USED OR REPRODUCED IN WHOLE OR IN PART WITHOUT WRITTEN PERMISSION		SCALE: 1:8	REV NO: 0



RELEASED FOR PRODUCTION: YES NO

- NOTES:**
- ENCLOSURE SHOWN WITHOUT ARTICULATING ARM FOR CUSTOM MOUNTING APPLICATIONS
 - M6 HARDWARE FOR CUSTOM MOUNTING APPLICATIONS NOT INCLUDED

PART NO.
E1407/E1408

INDUSTRIAL VIDEO & CONTROL
E1407/E1408 ENCLOSURE
OVERALL DIMENSIONS

MODEL: E1407/E1408	SHEET NO: 2 OF 2	DWG NO: IVC2744
THIS DOCUMENT IS THE PROPERTY OF IV&C AND MAY NOT BE USED OR REPRODUCED IN WHOLE OR IN PART WITHOUT WRITTEN PERMISSION		REV NO: 0

GLOBAL TOLERANCES PER SHEET #1
REVISIONS TO THIS DRAWING MUST BE APPROVED BY APPROPRIATE CERTIFYING BODY

SCALE:
1:8