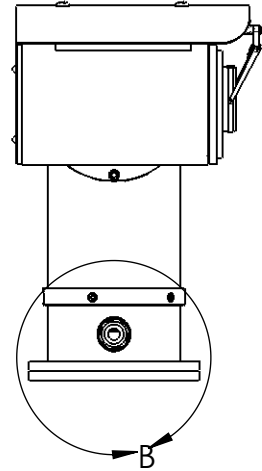
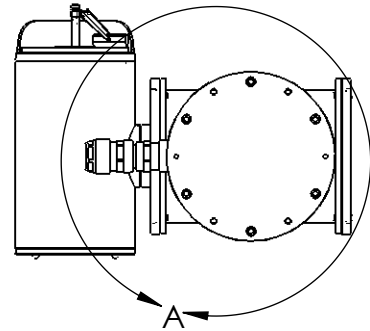


D

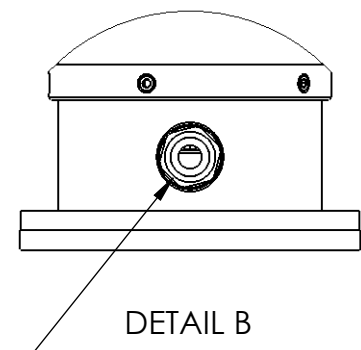
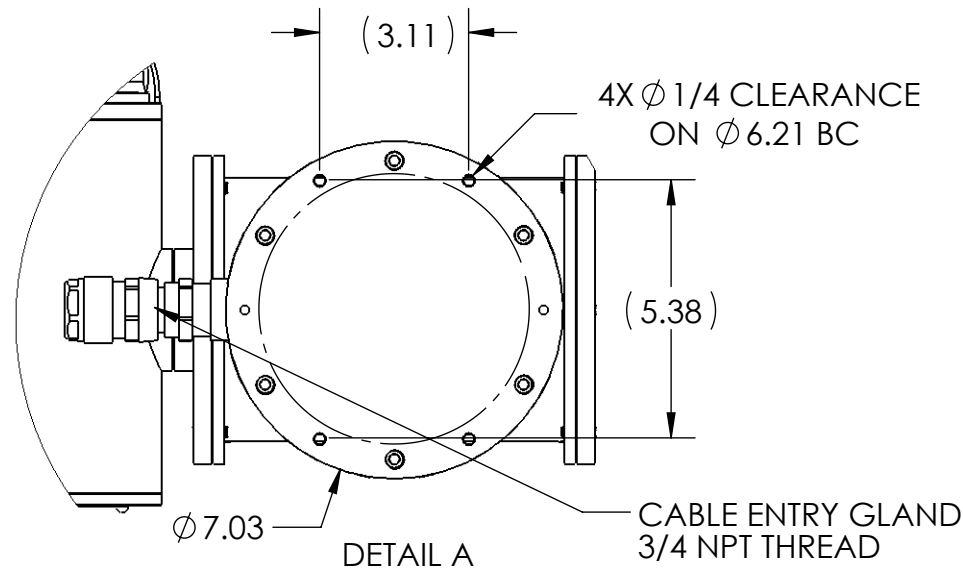
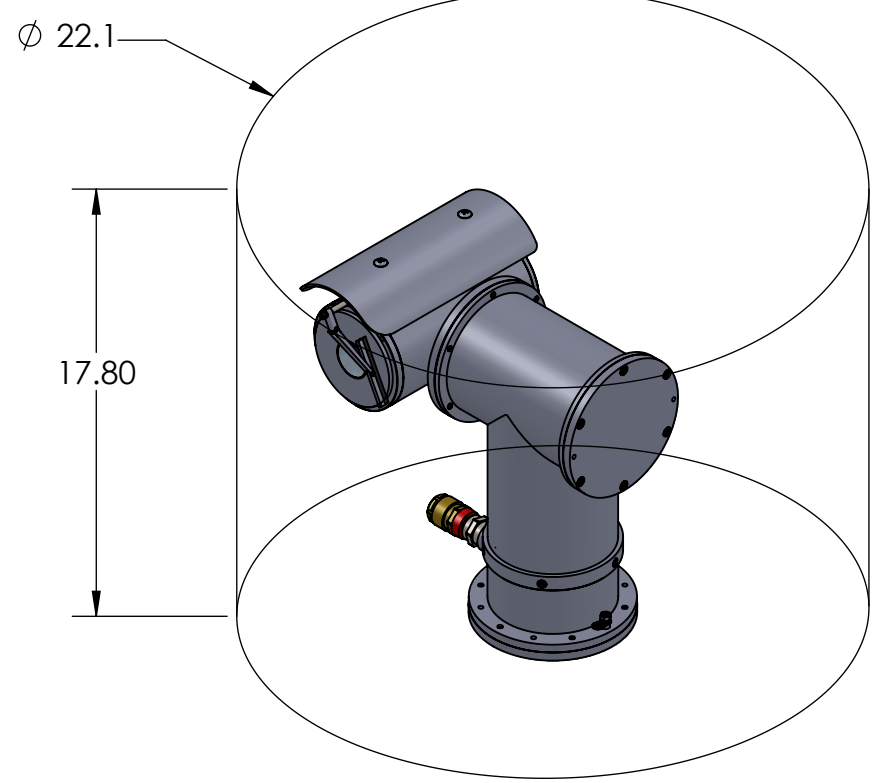
C

B

A



MINIMUM CLEARANCE FOR FULL ROTATION:



- NOTES:
1. Refer to CAD database for all other dimensions



330 NEVADA STREET, NEWTON, MA 02460

DRAWN BY: DATUM3D	PART NO.	330 NEVADA STREET, NEWTON, MA 02460		
UNLESS OTHERWISE SPECIFIED:	PTZ-3345-XX	MOUNTING DIMENSIONS		
DIMENSIONS ARE IN INCHES		SIZE	DWG. NO.	REV
TOLERANCES ON:	PROPRIETARY AND CONFIDENTIAL THIS DOCUMENT IS THE PROPERTY OF I. V. & C. AND IS NOT TO BE USED OR REPRODUCED IN WHOLE OR IN PART WITHOUT WRITTEN PERMISSION.	B	MD- ZA-1000	B
ANGLES $\pm 1/2^\circ$			SCALE: 1:8	SHEET 1 OF 1
FRACTIONS $\pm 1/32$				
DECIMALS .XX $\pm .01$				
.XXX $\pm .005$				
DO NOT SCALE DRAWING				