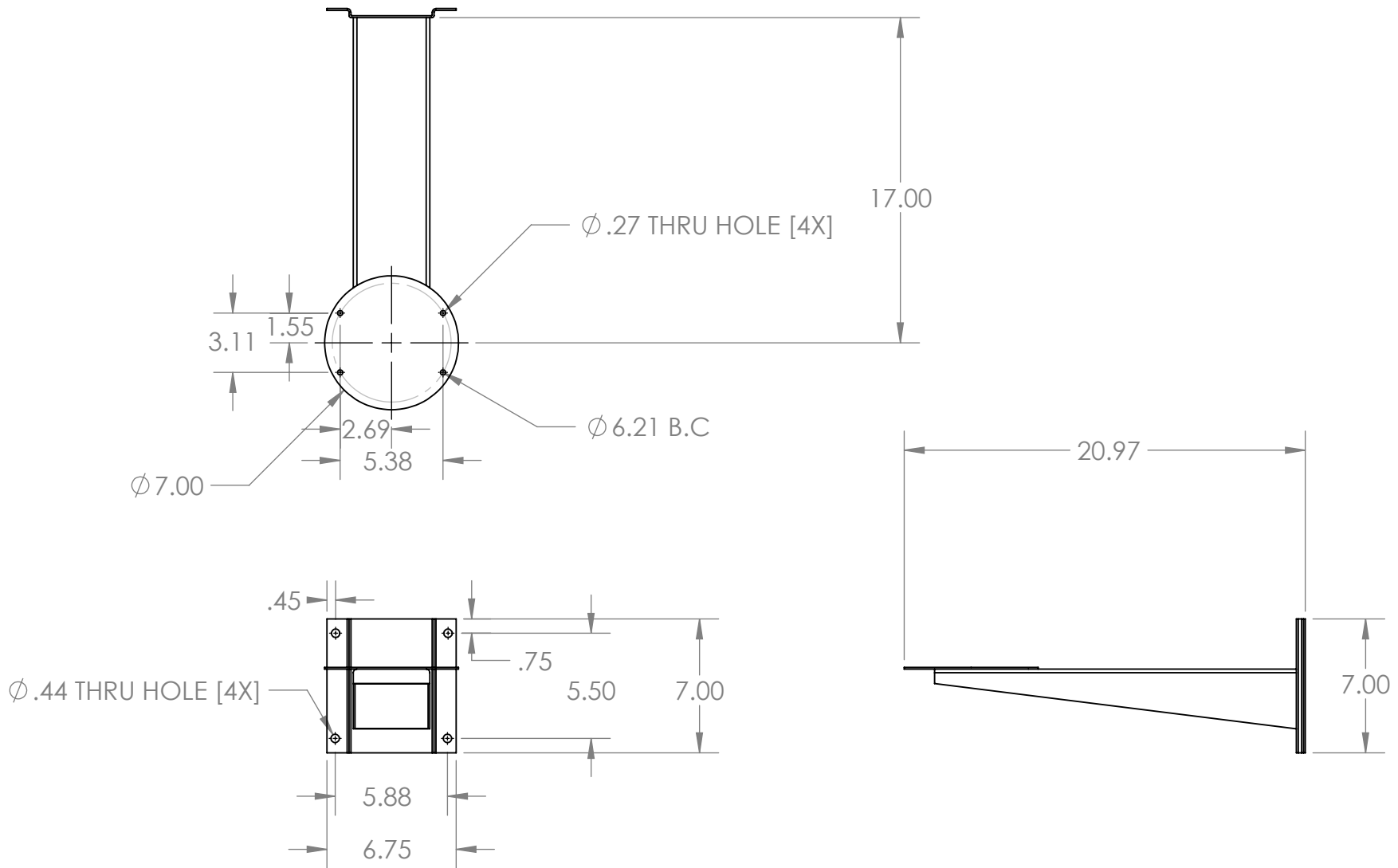


# REVISIONS

00	INITIAL RELEASE	11/30/15	TT	BR
----	-----------------	----------	----	----



**NOTE:**

1. MAT'L 316 STAINLESS STEEL
2. REFLECTIVE FINISH
3. REFERENCE ONLY

<b>PART NO.</b>	<b>INDUSTRIAL VIDEO &amp; CONTROL</b>														
MB-100-2	330 NEVADA STREET - NEWTON, MA 02460														
PTZ-HD30-9 & APTZ-3045-XX															
DIMENSIONS ARE IN: <input checked="" type="checkbox"/> INCHES <input type="checkbox"/> MILLIMETERS <input type="checkbox"/> DUAL	DESIGNED FOR: I.V.&C.	DRAWN BY: TT	DATE: 11/30/15												
TOLERANCES ON:	MODEL: WALL MOUNT	APPD BY: BR	DATE: 11/30/15												
<table border="0" style="width: 100%;"> <tr> <td style="width: 33%;">ANGLES</td> <td style="width: 33%;">±1/2°</td> <td style="width: 33%;">±0.5°</td> </tr> <tr> <td>FRACTIONS</td> <td>±1/32"</td> <td>N/A</td> </tr> <tr> <td>DECIMALS</td> <td>.XX ±0.01"</td> <td>±0.2</td> </tr> <tr> <td></td> <td>.XXX ±0.005"</td> <td>±0.12</td> </tr> </table>	ANGLES	±1/2°	±0.5°	FRACTIONS	±1/32"	N/A	DECIMALS	.XX ±0.01"	±0.2		.XXX ±0.005"	±0.12	THIS DOCUMENT IS THE PROPERTY OF IV&C AND MAY NOT BE USED OR REPRODUCED IN WHOLE OR IN PART WITHOUT WRITTEN PERMISSION		SHEET NO: 1 OF 1
ANGLES	±1/2°	±0.5°													
FRACTIONS	±1/32"	N/A													
DECIMALS	.XX ±0.01"	±0.2													
	.XXX ±0.005"	±0.12													
REVISIONS TO THIS DRAWING MUST BE APPROVED BY APPROPRIATE CERTIFYING BODY	YES <input type="checkbox"/> NO <input checked="" type="checkbox"/>	SCALE: N/A	REV NO: 00												