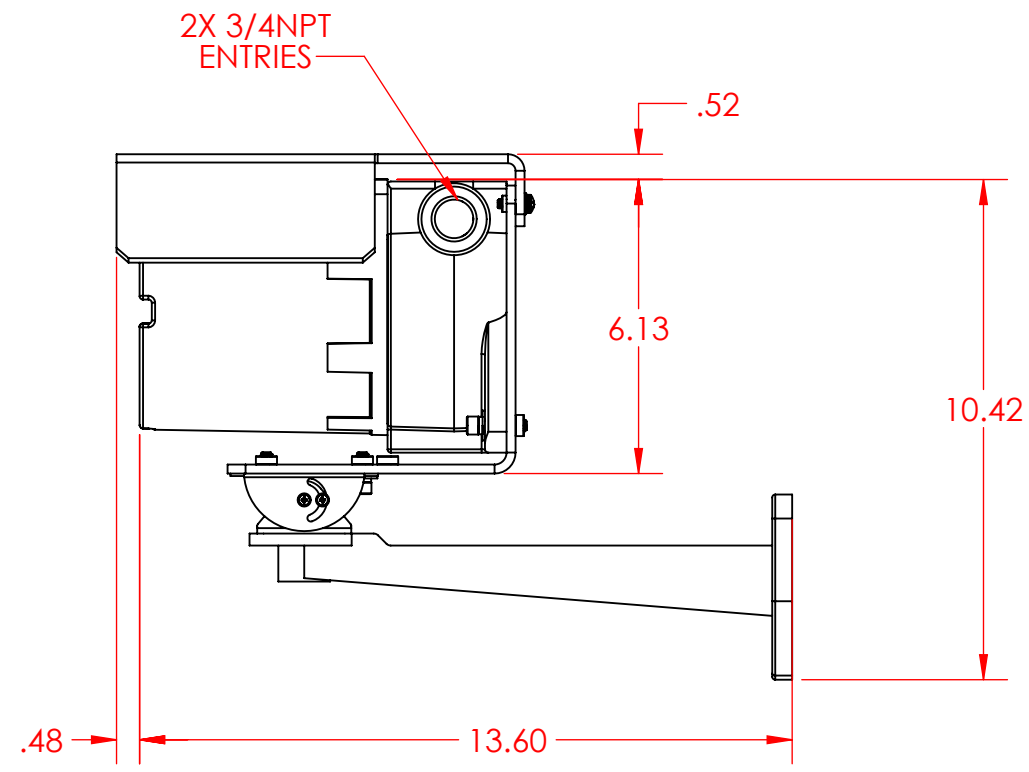
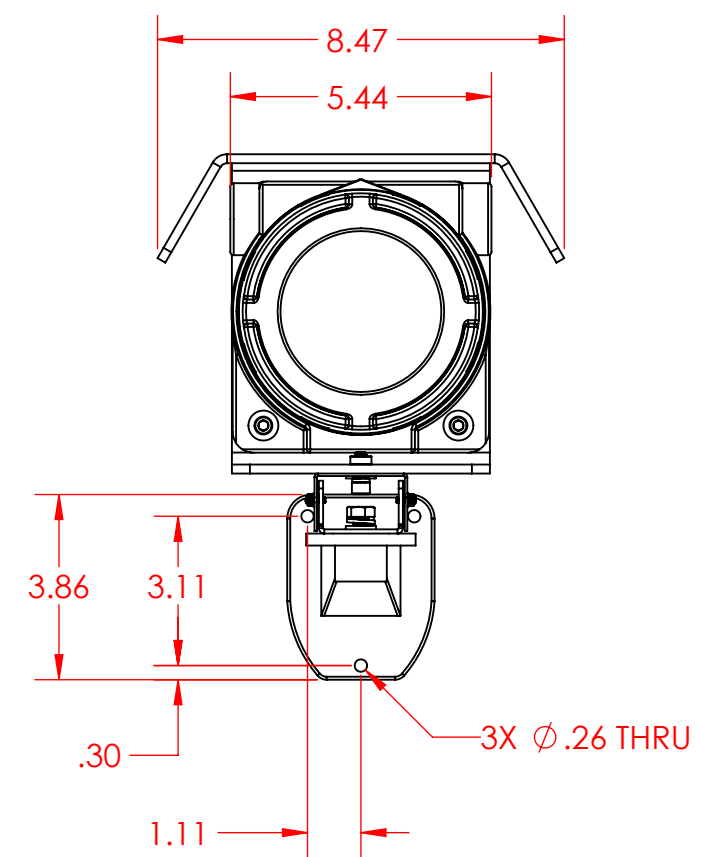
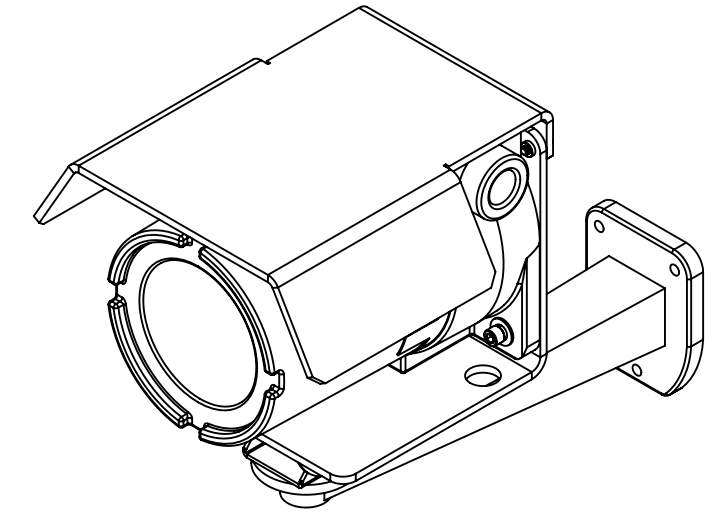
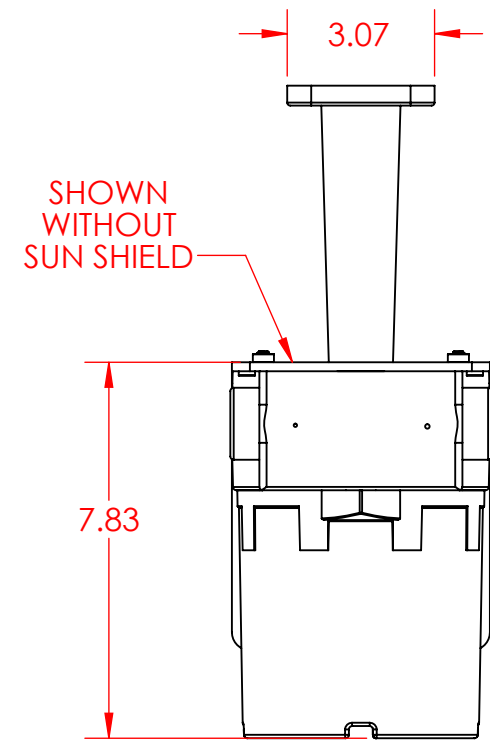


REVISIONS

NO.	DESCRIPTION	DATE	BY	APPD
1	ADD OPTIONAL SUN SHIELD/ DEFINE ENTRIES	10/31/23	DGR	BGR



- NOTES:**
1. DRAWING FOR REFERENCE ONLY
  2. DIMENSIONS ARE IN INCHES
  3. SUN SHIELD OPTIONAL

RELEASED FOR PRODUCTION: YES  NO

PART NO.		INDUSTRIAL VIDEO & CONTROL			
N/A		330 NEVADA STREET - NEWTON, MA 02460			
		AMZ-XX-XX			
		W/ D4463			
DIMENSIONS ARE IN:		DESIGNED FOR:		ISSUE DATE:	
<input checked="" type="checkbox"/> INCHES <input type="checkbox"/> MILLIMETERS <input type="checkbox"/> DUAL		I.V.&C.		09/12/19	
TOLERANCES ON:		DRAWN BY:		SHEET NO:	
ANGLES ±1/2° ±0.5°		TT		1 OF 1	
FRACTIONS ±1/32" N/A		APPD BY:		DWG NO:	
DECIMALS .XX ±0.01" ±0.2		BR		IVC2136	
.XXX ±0.005" ±0.12		MODEL:		REV NO:	
		AMZ VARIOUS		1	
REVISIONS TO THIS DRAWING MUST BE APPROVED BY APPROPRIATE CERTIFYING BODY		THIS DOCUMENT IS THE PROPERTY OF IV&C AND MAY NOT BE USED OR REPRODUCED IN WHOLE OR IN PART WITHOUT WRITTEN PERMISSION		SCALE: 1:4	
YES <input checked="" type="checkbox"/> NO <input type="checkbox"/>					