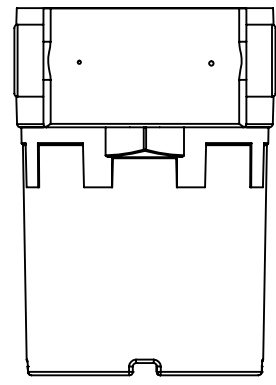
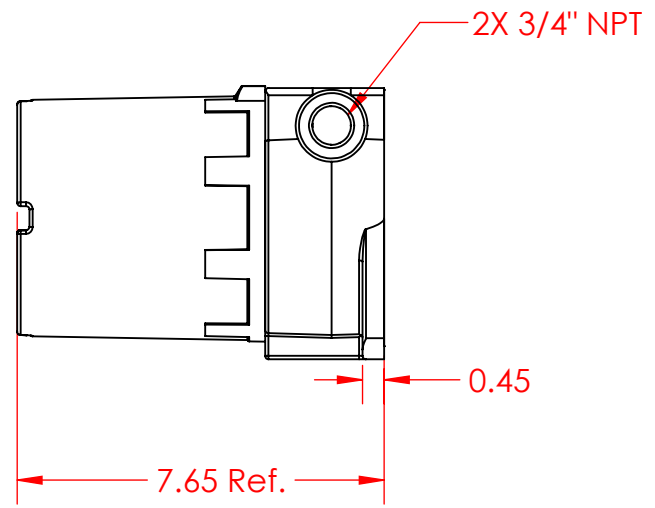
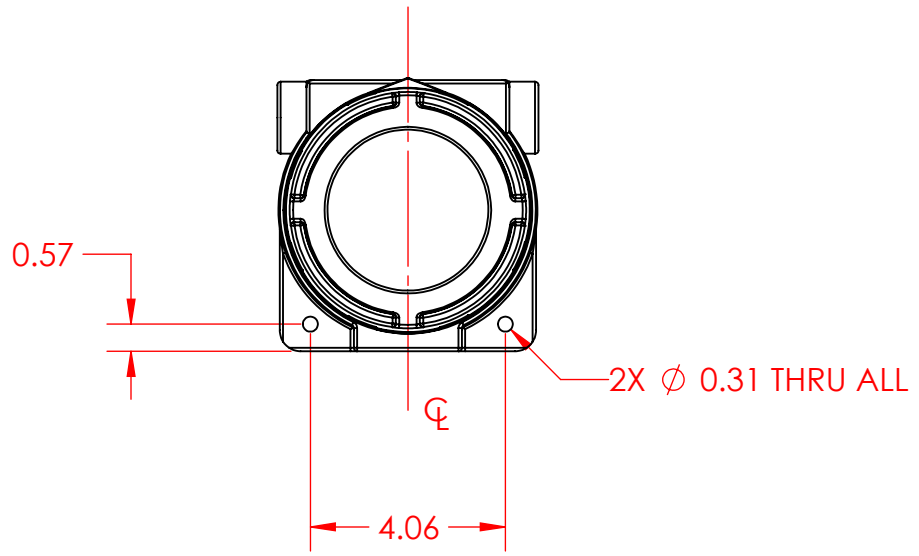
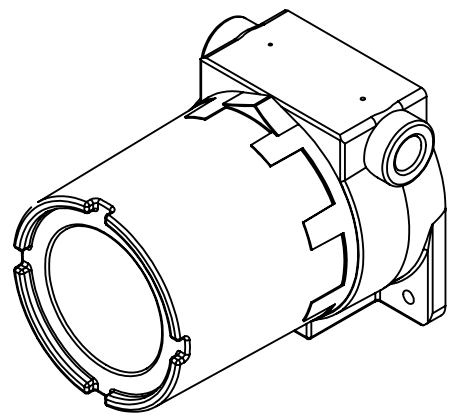


REVISIONS

0	INITIAL RELEASE	10/13/17	TT	BR
---	-----------------	----------	----	----



Reference Only



- NOTE:
1. Enclosure Material Alum.
  2. Drawing for Reference only

PART NO. <b>E44607</b>		INDUSTRIAL VIDEO & CONTROL 330 NEVADA STREET - NEWTON, MA 02460			
DIMENSIONS ARE IN: <input checked="" type="checkbox"/> INCHES <input type="checkbox"/> MILLIMETERS <input type="checkbox"/> DUAL		<b>ALUMINIUM ENCLOSURE</b>			
TOLERANCES ON:					
ANGLES	±1/2° ±0.5°	DESIGNED FOR:	DRAWN BY:	DATE:	SHEET NO:
FRACTIONS	±1/32" N/A	I.V.&C.	TT	10/13/17	1 OF 1
DECIMALS	.XX ±0.01" ±0.2 .XXX ±0.005" ±0.12	MODEL:	APPD BY:	DATE:	DWG NO:
		N/A	BR	10/13/17	IVC1895
REVISIONS TO THIS DRAWING MUST BE APPROVED BY APPROPRIATE CERTIFYING BODY		THIS DOCUMENT IS THE PROPERTY OF IV&C AND MAY NOT BE USED OR REPRODUCED IN WHOLE OR IN PART WITHOUT WRITTEN PERMISSION		SCALE:	REV NO:
YES <input type="checkbox"/> NO <input checked="" type="checkbox"/>				N/A	0