



AMZ-3041-2 Installation Guide

READ THIS FIRST

REV 1.15.0

IG-024

March 20th, 2017

©2016, Industrial Video & Control Co. The Industrial Video & Control Co. logo is a registered trademark of Industrial Video & Control Co.. All other company names and products are trademarks or registered trademarks of their respective companies. All information provided is subject to change without notice.

1

Check Receipt of All Components

1.1 Component List

Before you proceed, be sure you have received all of the components listed below:

- Standard definition analog camera in enclosure



AMZ-3041-2 with aluminum housing

- Wall mount arm

- L hex key

- Bench test kit



AMZ-3041-2 with stainless steel housing

If ordered, you may have also received:

- a) Any special mounting equipment (e.g. IVC Pole Mount Kit)

NOTE: Only one bench test kit is enclosed per order, it may be in a separate box

NOTE: Special mounting equipment may be in a separate box and may

require additional materials for installation. (Consult the specific kit for more information)

NOTE: The AMZ-3041-2 is available with an aluminum or stainless steel enclosure (as pictured above). The installation procedure is identical for both models.

1.2 Additional Installation Requirements

The following items are required to properly complete installation:

- 5/32" hex driver
- Small flathead screwdriver
- Straight-through Ethernet cable with RJ-45 connectors
- A Windows™ computer running IVC Camera Management Software
- A Windows™ computer running Internet Explorer 8.x (or higher)
- Tools for Special Mounting Kit (e.g. IVC Pole Mount Kit). (See kit for details)

2

Set Up and Bench Test Camera

2.1 Remove Packaging and Inspect Camera

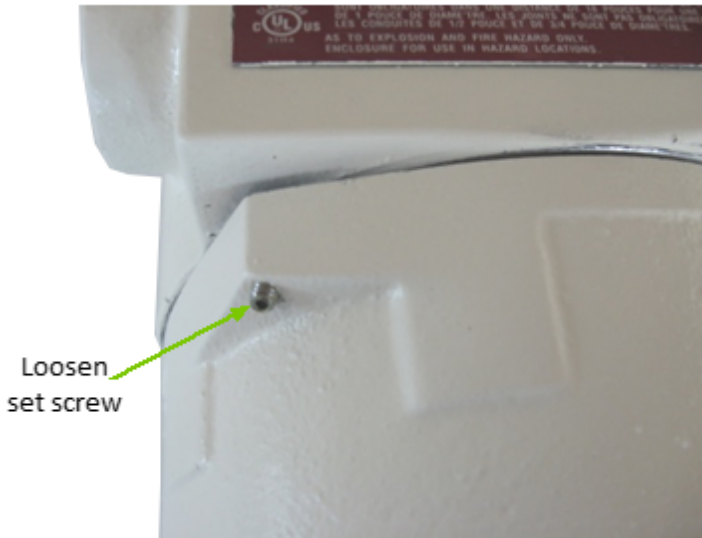
Inspect the camera for any signs of damage. Keep in mind the enclosure lens is constructed of soft acrylic for optimal optical characteristics. It can be scratched easily. Use only a damp soft cloth or vigorous water spray to clean.

If any damage occurred during shipping please call our support line (617-467-3059) for assistance.

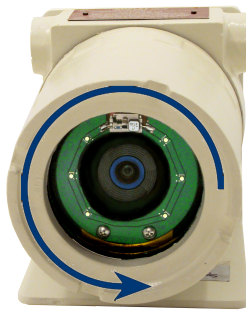
2.2 Connect Camera

The camera provides two 3/4" NPT cable openings on each side of the enclosure to which cable glands or conduit fittings can be attached. Feed your power and video cables through the appropriate opening and connect as illustrated below.

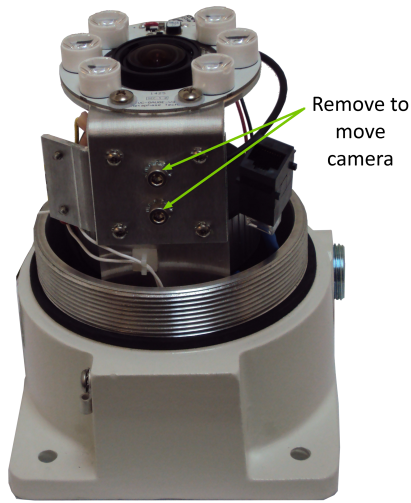
1. Loosen the camera housing cover set screw with the L hex wrench provided.



2. Grasp enclosure cover firmly and turn counterclockwise to remove. **NOTE:** The threads on the enclosure base and cover have had lubricant applied to them at the factory. Take care as to not get this on the enclosure lens.



4. If it is necessary to move the camera to facilitate cable installation the camera sled can be moved by removing two screws on the bottom of the camera platform with a 5/32" hex driver.

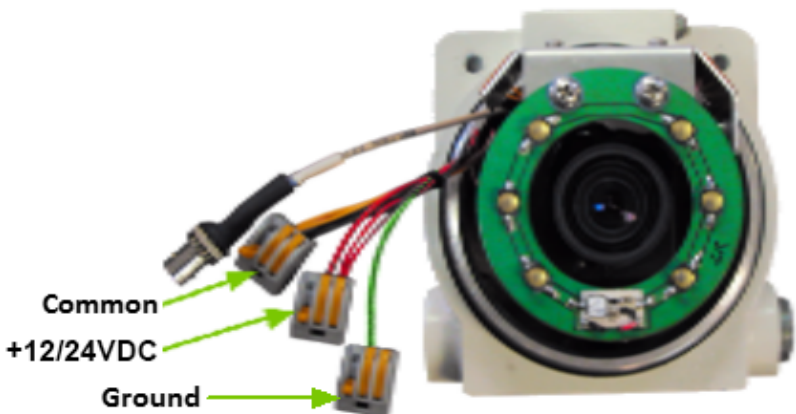


5. Connect an appropriate power source to power connectors of the version of AMZ-3041-2 you purchased as illustrated below:

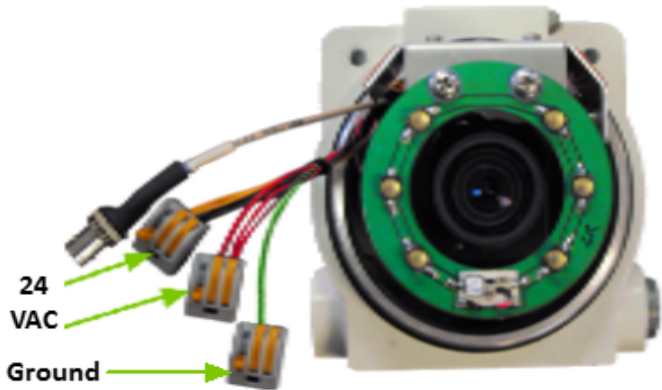
To connector power leads:

- a. Lift orange lever corresponding to open terminal
- b. Insert power wire into open terminal
- c. Lower orange lever to secure power wire

AMZ-3041-2-12/AMZ-3041-2-12-S AND AMZ-3041-2-24/AMZ-3041-2-24-S



AMZ-3041-2-24A/AMZ-3041-2-24A-S:



6. Connect video to the female BNC connector provided:



7. Connect other end of video cable to monitor. Apply power to the camera and observe video on your monitor. Adjust camera lens as necessary.

2.3 Bench Test Completed

This concludes the bench test. Reassemble the camera.

3

Install Camera

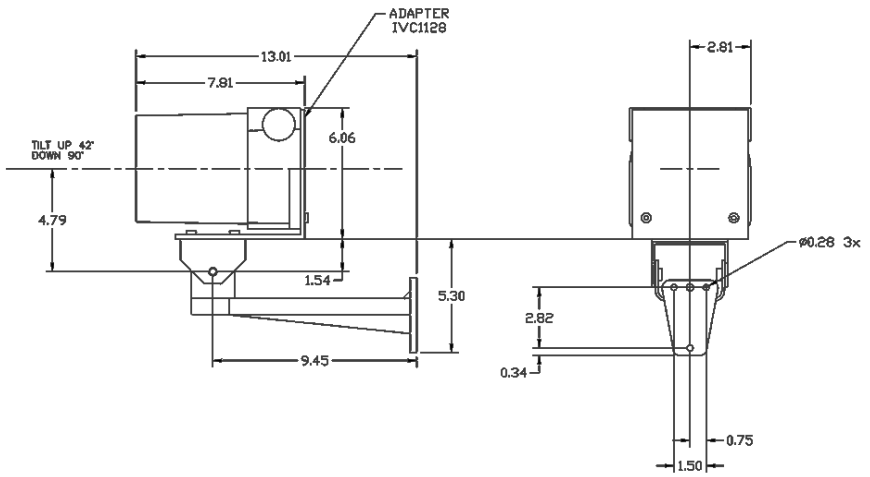
The sections of this chapter describe the steps necessary to install the camera at its operational location.

CAUTION: All installations must insure the camera assembly is mounted securely to ensure that it cannot become dislodged during high wind, accidental bumping or other such incidents. All wiring must comply with NEC, NFPA, and local codes.

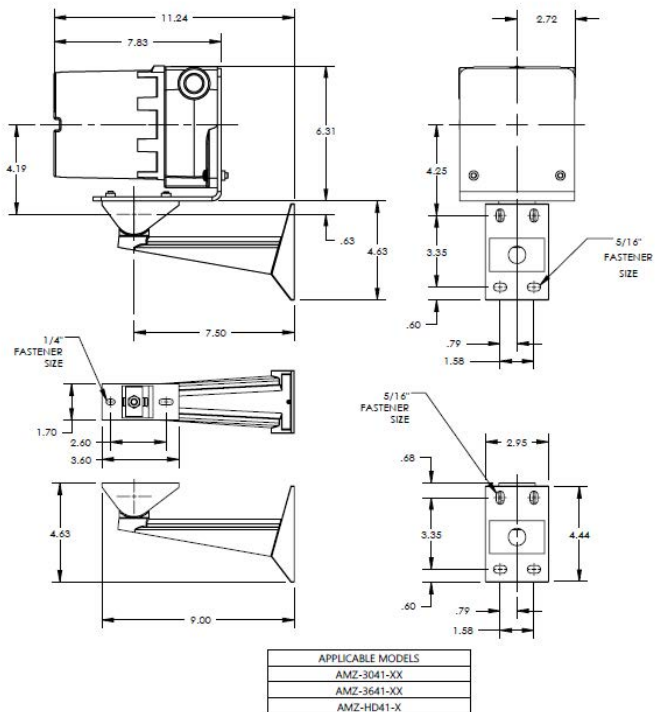
NOTE: IVC is not liable for direct or consequential damages resulting from use of this product and IVC makes no guarantees regarding results of intended and unintended use of the product. If this product is used in a manner not specified by IVC, the protection provided by the product may be impaired.

3.1 Mount the Camera

It is important to mount the camera and its control box to a solid, stable surface or pole. If the camera is to be bolted to a flat horizontal surface, refer to the appropriate drill pattern below (all dimensions in inches).

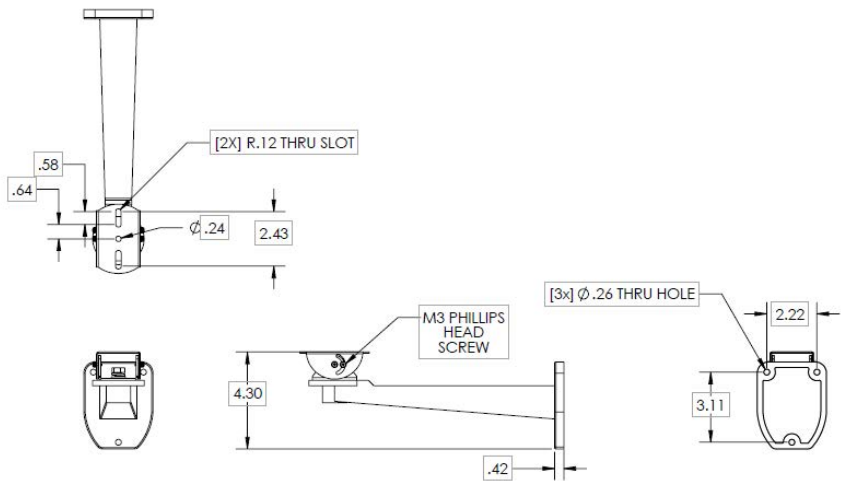


AMZ-3041-2 (for aluminum enclosure) mount arm footprint (Option 1)

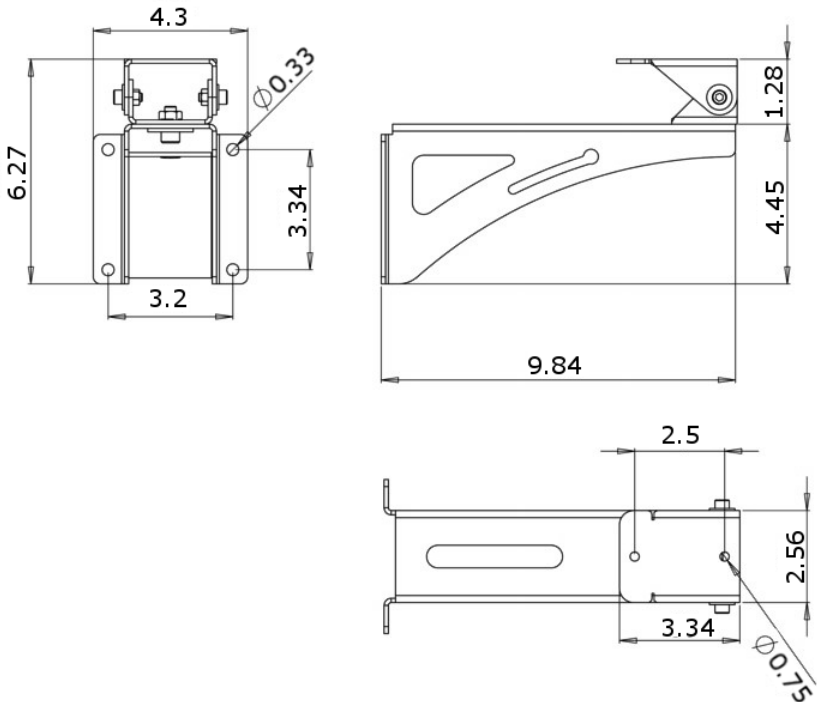


AMZ-3041-2 mount arm footprint (Option 2)

APPLICABLE MODELS
AMZ-3041-XX
AMZ-3641-XX
AMZ-HD41-X



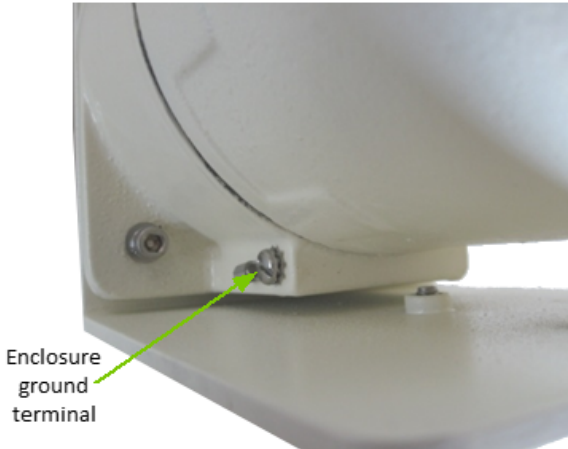
AMZ-3041-2 mount arm footprint (Option 3)



AMZ-3041-2-xS (for stainless steel enclosure) mount arm dimensions

The enclosure has two ports for cable access. These will accommodate a 3/4 inch cable gland or NPT conduit fittings.

Be sure to ground the chassis by attaching ground cable to the ground terminal as indicated below.



NOTE: If the camera is to be attached to a round pole 3" to 15" in diameter, we suggest the IVC Pole Mount Kit. The Pole Mount Kit requires a steel band installation. A banding tool is required but not included. It is available from McMaster Carr (1-732-329-3200) and is listed as "Standard Banding Tool" Item No: "PN 5424K3."

3.2 Adjust Camera View

Camera with Illuminator Ring

If you ordered an illumination option for your camera, then the lens provided is a manual iris lens (pictured below). After the camera is mounted, open the camera housing and adjust the Zoom and Focus controls until the desired view is achieved. To adjust zoom and/or focus loosen the associated thumb screw and adjust as necessary.



Camera without Illuminator Ring

If you did not order an illumination option for your camera, then the lens provided is a manual iris lens (pictured above) or an auto iris lens (pictured below). If a manual iris lens is installed, adjust as described above. If an auto iris lens is installed, open the camera housing after the camera is mounted and adjust the Zoom, and Focus controls until the desired view is achieved. To adjust zoom, and/or focus loosen the associated thumb screw and adjust as necessary.



3.3 Camera Power

In some circumstances, IP cameras may require an occasional power interruption to reinitiate the camera software after installation. Ideally, the power for each installed camera should be routed through a permanent and conveniently accessible power switch.

4

Support Information

If you experience any problems please call us (617-467-3059) or email support@ivcco.com.

Please note that no equipment (in-warranty or out-of-warranty) should be sent back to IVC without an Return Material Authorization (RMA). Contact IVC support or your IVC sales representative for an RMA.

CAUTION: All installations must insure the camera assembly is mounted securely to ensure that it cannot become dislodged during high wind, accidental bumping or other such incidents. All wiring must comply with NEC, NFPA, and local codes.

NOTE: IVC is not liable for direct or consequential damages resulting from use of this product and IVC makes no guarantees regarding results of intended and unintended use of the product.

5

Appendix A - Camera Specifications

Imager	1/3" DPS CMOS
Minimum Illumination	0.3 Lux (color); 0.06 Lux (b/w)
White Balance	Auto
Auto Iris	DC iris
Gain	Auto
Horizontal Resolution	525 TV lines (NTSC) 625 TV lines (PAL)
S/N Ratio	50 dB (p-p/rms) or better
F-number	1.4
Video Output	VBS 1.0V p-p/75 Ohms
Weight	8.1 lbs. (Aluminum Enclosure) 10.2 lbs. (Stainless Steel Enclosure)
Voltage Required	12 VDC or 24 VDC
Power Consumption	0.7A @ 12 VDC 0.4A @ 24 VDC
Operating Temperature	-40° to 60° C
Storage Temperature	-45° to 65° C
Dimensions	5.50" H x 5.50" W x 7.75" D (Aluminum) 5.50" H x 5.50" W x 8" D (Stainless Steel)
Mount	Wall Mount Standard
Protection Class	NEMA Type 4x, IP66
Regulatory Approvals	
Safety	Conforms to UL STD 61010-1 + UL1203 Certified to CSA STD CSA22.2 NO.30 + CAN/CSA C22.2 No. 25 EN 60079-0:2012, EN 60079-1:2007, EN 60079-31:2009. ATEX 94/9/EC.
Hazardous Area	Class I Groups B, C & D, Class II Groups E, F & G, Class III Type 4x Class I Zone 1 AEx d IIC Ex d IIC IEC 60529, T6

*Actual voltage required depends on model ordered

6

Appendix B - Operation in Hazardous Areas

Prior to deployment ensure that the camera has the following nameplate attached with the appropriate model, voltage, current, and serial number. The last four digits of the serial number indicate the product's year of manufacture.

MODEL: AMZ- 41-

CLASS I GROUP B,C,D, CLASS II GROUP E,F,G, CLASS III TYPE 4X
 Tamb -20°C to +60°C

CE 1725 **Ex** II 2 GD Ex d IIC T6 Gb
 Ex tb IIIC T80°C Db IP66

Tamb -20°C to +60°C
 IECEx ETL 15.0051X
 ITS15ATEX18348X


WARNING: DO NOT OPEN WHEN AN EXPLOSIVE ATMOSPHERE IS PRESENT
 Attention: Ne pas ouvrir une atmosphère explosive est présente

Input Voltage: VDC: VAC: PDE:

Max Operating Current: A

SERIAL NO.

INDUSTRIAL VIDEO & CONTROL
 NEWTON, MA 02460 USA



Nameplate for Aluminum Enclosure

MODEL: AMZ- 41- -S

CLASS I GROUP B,C,D, CLASS II GROUP E,F,G, CLASS III TYPE 4X
 Tamb -20°C to +60°C

CE 1725 **Ex** II 2 GD Ex d IIC T6 Gb
 Ex tb IIIC T80°C Db IP66

Tamb -20°C to +60°C
 IECEx ETL 15.0051X
 ITS15ATEX18348X


WARNING: DO NOT OPEN WHEN AN EXPLOSIVE ATMOSPHERE IS PRESENT
 Attention: Ne pas ouvrir une atmosphère explosive est présente

Input Voltage: VDC: VAC: PDE:

Max Operating Current: A

SERIAL NO.

INDUSTRIAL VIDEO & CONTROL
 NEWTON, MA 02460 USA



Nameplate for Stainless Steel Enclosure

Also note that entry to the equipment must be made by suitably certified Ex d IIC Gb, Ex tb IIIC Db IP66, Tamb -20°C to +60°C entry device (e.g., cable gland).

NOTE: A SEAL SHALL BE INSTALLED WITHIN 50mm OF THE ENCLOSURE FOR NORTH AMERICAN INSTALLATIONS.

REMARQUE: UNSCELLEMENT DOIT ÊTRE INSTALLÉ À MOINS DE 50mm DE L'ENCEINTE POUR L'AMÉRIQUE DU NORD INSTALLATIONS.

NOTE: ENTRY TO THE EQUIPMENT MUST BE MADE SUITABLY CERTIFIED Ex d IIC Gb, Ex tb IIIC Db IP66, Tamb -20°C to +60°C ENTRY DEVICE TO CONFORM TO ATEX AND IECEX COMPLIANCE.

REMARQUE: ENTREE AU équipement doit être présentée dûment établi Ex d IIC Gb, Ex tb IIIC Db IP66, Tamb -20 ° C + dispositif d'entrée de 60 ° C à A CONFORME AUX zones ATEX et la conformité.

